



PRODUCT
CATALOGUE

2024



The **Medical Cart Company Ltd** was born in the year 2016 and being a proud Hungarian company, all products are designed in house and material sourced and manufactured locally or within Europe. We have a total commitment to reducing our carbon footprint.

We use materials which are 100% recyclable and ensure that all products have the ability to be refurbished after many years of use and adapted to the changing needs of users with minimal effort.



How to choose your cart ?

We have designed a range of bases to suit the requirements of your equipment and the accessories required to support good use and function. All products are available with and without height adjustment.

So how to choose

- Weight of the equipment to accessories to be supported
- Working height required
- Size of work surface
- Location of accessories

We have a standard range of carts which will suit most needs or alternatively we can design the cart to your needs.

We understand, that a standard mounting solution may not satisfy your need, so we offer a fast and affordable customisation service as well as an exclusive for you and OEM design service.

We are here to be part of your team, not just your supplier !



CONTENTS

BUDGIE RANGE	4
<i>Our most lightweight and economic range.</i>	
GIRAFFE RANGE	15
<i>Vertically built products in case there's no need for a work surface.</i>	
CHAMELEON RANGE	29
<i>Moving workstations fit to use standing or sitting as well.</i>	
RHINO RANGE	43
<i>The strongest carts built to carry heavy equipment.</i>	
INTRAORAL RANGE	54
<i>Carts built for intraoral medication.</i>	
DISPLAY CARTS	58
<i>Carts for display mounting.</i>	
SNAKE RANGE	63
<i>Arms with the strength and flexibility to reach for distant accessories.</i>	
WALL MOUNT SOLUTIONS	71
<i>Workstations fit to use standing or sitting as well.</i>	
POWER OPTIONS	72
<i>Transformers, Battery pack, Power strips and other accessories.</i>	
DESK STANDS	74
<i>Display and tablet mount solutions on desktop.</i>	
DOLPHIN RANGE INPUT DEVICES	76
<i>Washable silicone Keyboard and Mouse.</i>	
VISUAL CUSTOMISATION	78
<i>Custom colors and wrappings..</i>	
2024 PRODUCTS	85
<i>New products coming in 2024.</i>	

Budgie Carts

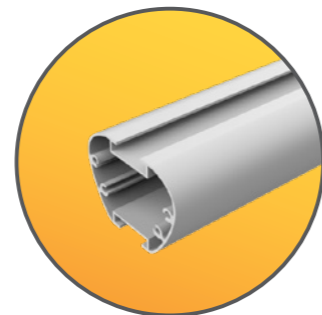
Basic Budgie Cart

-  **Ergonomic**
-  **Easy to clean**
-  **Multi purpose**
-  **Lifetime warranty**
-  **Quick setup**



FEATURES

Designed and manufactured in Hungary, products are typically 100% recyclable and upgradable in the future. Raw materials are sourced locally or in the EU.



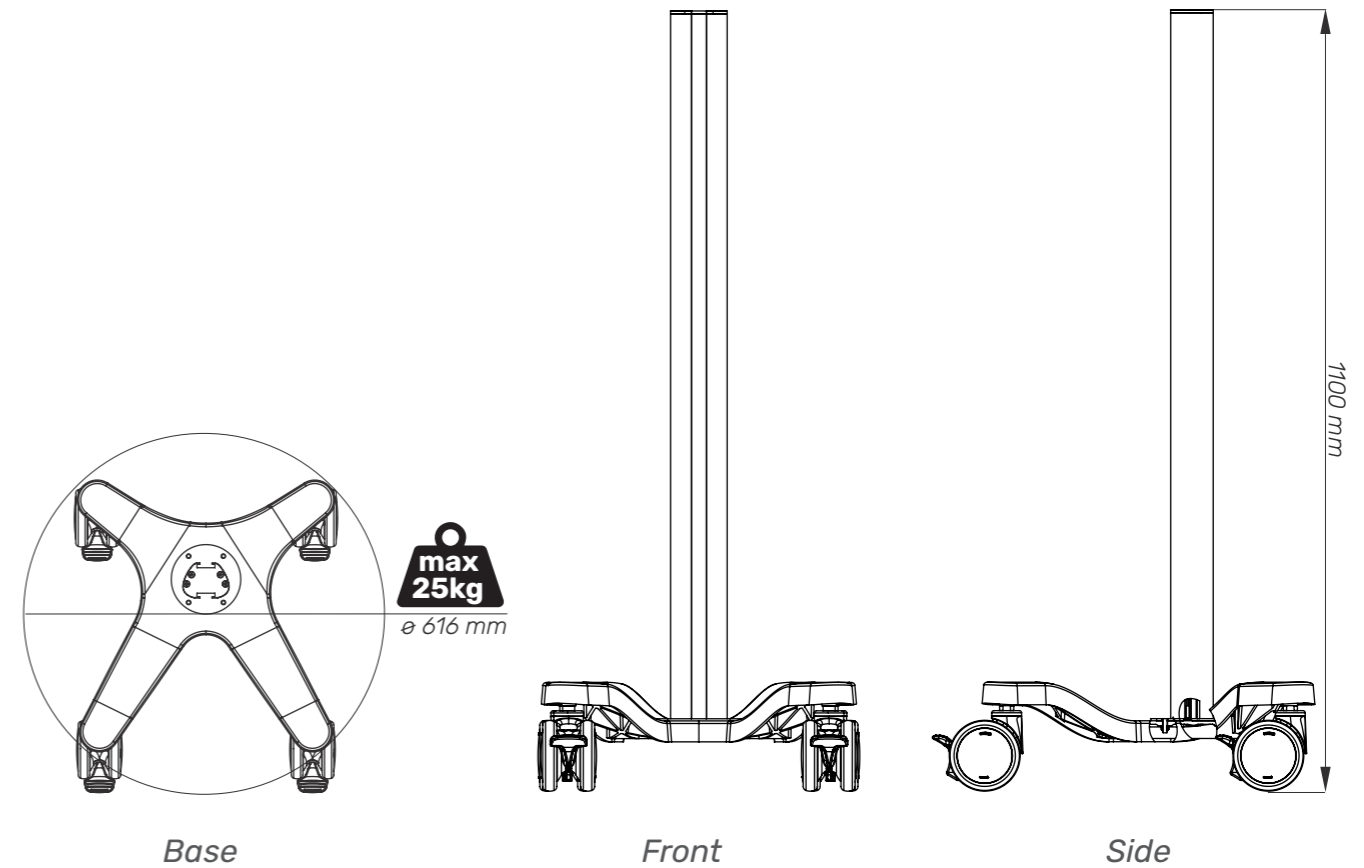
Channels to fix accessories



Lockable wheels

Cart Properties

Dimensions and mechanical data



Mechanical data	
Height	1100 mm
Wheelbase dimension	616 mm (diameter)
Wheel construction	Polyamide with Polyurethane tread
Wheels/locking	2 lockable, 100 mm diameter
Loading capacity	25 kg
Construction	
Main material	Aluminium
Color	
RAL 9016	
Custom color	
Certificates	
Certificates conforms to	IEC60601-1:2012 (Edition 3)
CE	Rohs compliant

Example of a Budgie Cart

All the accessories shown are available in stock.
For unique accessory requests please contact us!

HANDLE H1

- Safe way to move the cart

COLUMN C2-L4

- C2 Column
- L4 - 996 mm tall
- Custom wrapping
- Column channel to fix accessories
- Aluminum

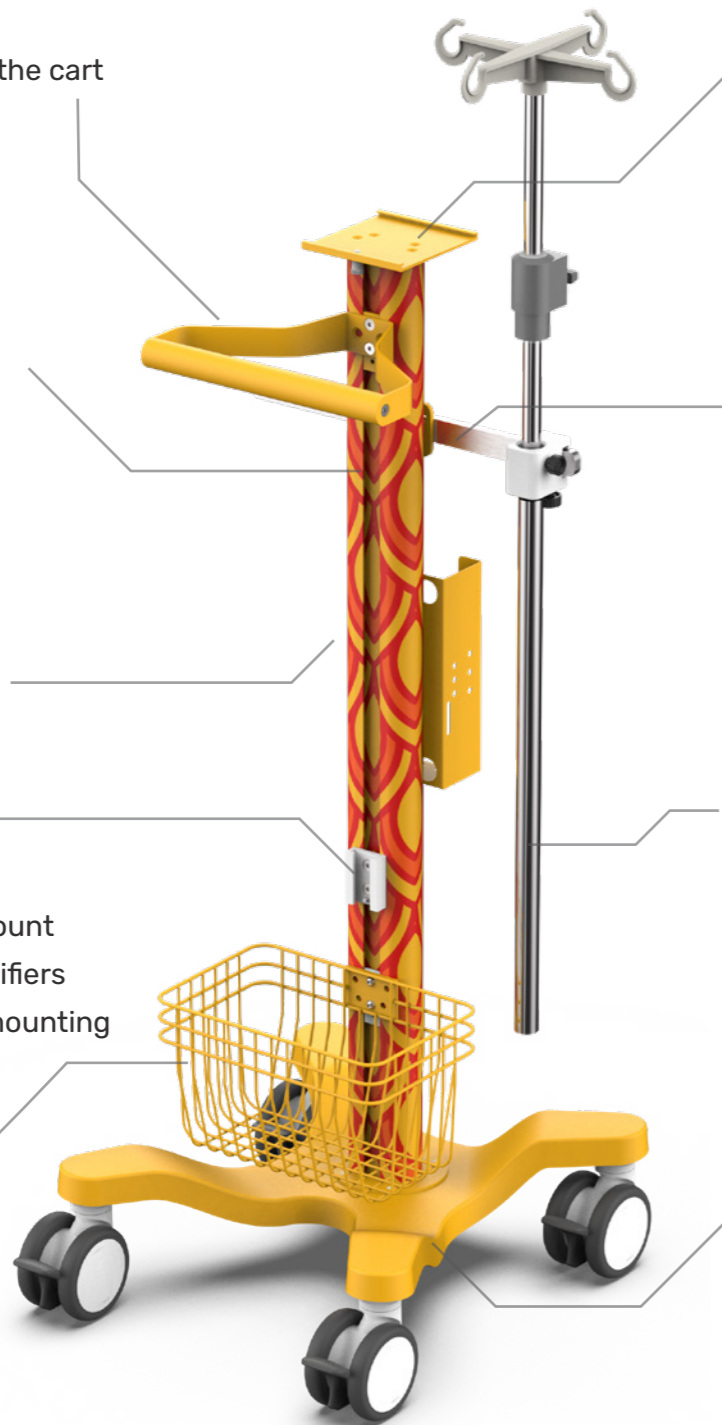
POWER SUPPLY HOLDER PSU1

MOUNT AM1

- Fisher & Paykel mount
- Suitable for humidifiers
- Column channel mounting

STORAGE B1

- Wire Basket
- Yellow painting



QUICK RELEASE MOUNT QRM

- Wide range of devices can be attached

DIN RAIL

- 400 mm long
- Wide range of accessories can be attached
- Aluminum

DRIP POLE IV4

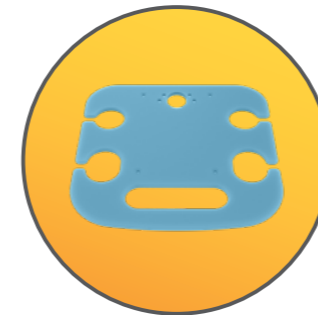
- Height adjustable

BASE B1-W4

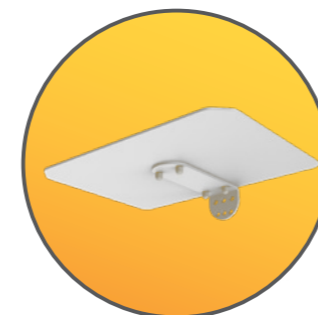
- B1 Base
- W4 100 mm wheels (Rubber coated)
- Aluminum
- Yellow painting
- 36 kg max. load

Equipped Budgie Cart

Other possible accessories shown in the pictures.
List of all accessories shown on next pages.



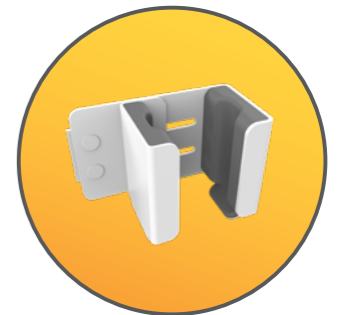
Worktop options



Storages and shelves for devices and equipments



Display and tablet mount options



Holders for devices and equipments



Antistatic wheel option

Accessories for Budgie

Click or scan the QR Codes for Datasheets.

Quick Release options



Quick Release Mount
QRM



Quick Release Plate BM
QRA1



Quick Release Plate
QRA2



Quick Release Plate
QRA3



Quick Release Mount
QRA4



Quick Release Plate BM
QRA5



Quick Release Plate
QRA6



Quick Release Plate
CUSTOM

Display and Tablet Mount options



VESA Mount 1
VES1



Tablet Mount 2
TM2



Tablet Mount 2-XL
TM2-XL



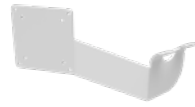
Tablet Mount 3
TM3



Holder options



Scanner Holder 1
SH1



Scanner Holder 2
SH2



Scanner Holder 3
SH3



Scanner Holder 4
SH4



Gel Holder 1
GH1



Gel Holder 2
GH2



Gel Holder 3
GH3



Cable Hook
CH1-C2



Cable Hook
CH2-C2



Cable Hook
CH3-C2



Cable Hook
CH4-C2



Humidifier mount
AM1



Rubber Scanner Holder 1
SR1



Rubber Scanner Holder 2
SR2



Rubber Scanner Holder 3
SR3

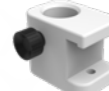


Mouse Holder
MH1

Drip Pole Clamp and Drip Pole options



Drip Pole Clamp 12.7mm
DRC1



Drip Pole Clamp 25mm
DRC2



Drip Pole
IV1



Accessories for Budgie

Click or scan the QR Codes for Datasheets.

Storage and Handle options



Small Basket
ST1-C2



Large Basket
ST2-C2



Storage Bin
ST3-C2



Small Basket
ST6-C2



Large Basket
ST7-C2



Storage Bin
ST8-C2



Handle and Storage
ST5-C2



Handle
H1-C2

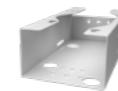
DIN Rail options



Din Rail 400x10x25mm
DR3-C2



PSU Holder options



PSU Holder 1
PSH1-C2



PSU Holder 2
PSH2-C2



PSU Holder 4
PSH4-C2



PSU Holder 5
PSH5-C2



PSU Holder 7
PSH7-C2



PSU Holder 9
PSH9-C2

CPU Mount options



CPU Mount Small
CPU1



CPU Mount Medium
CPU2



Gas bottle holder options



Gas Bottle Holder 1
GBH1



Gas Bottle Holder 2
GBH2



Gas Bottle Holder 3
GBH3



Accessories for Budgie

Click or scan the QR Codes for Datasheets.

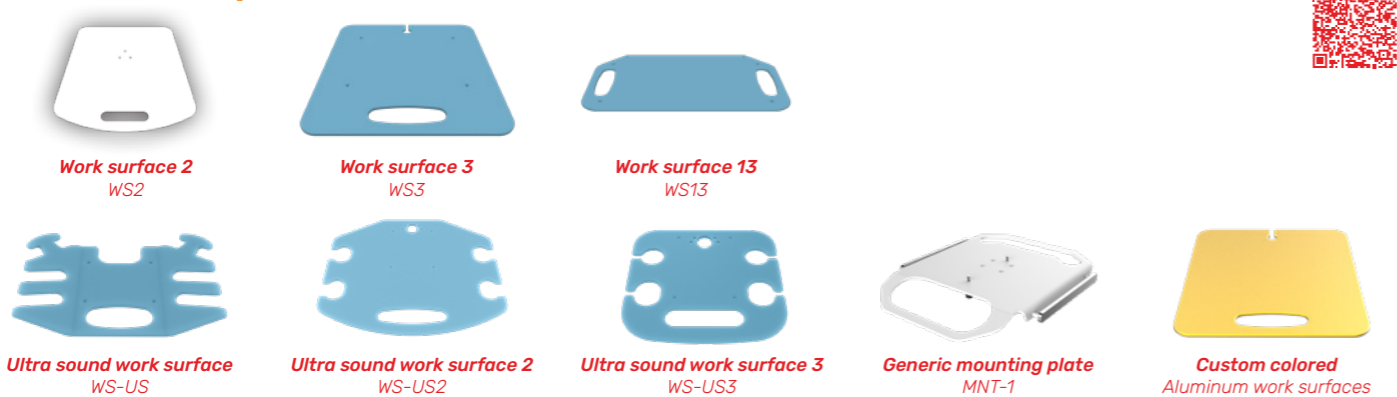
Shelf options



Power function options



Work surface options



Component options

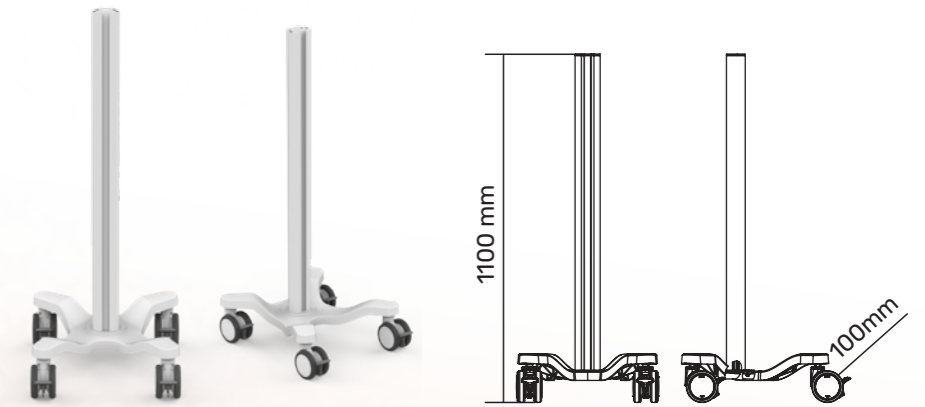


Laptop mount options



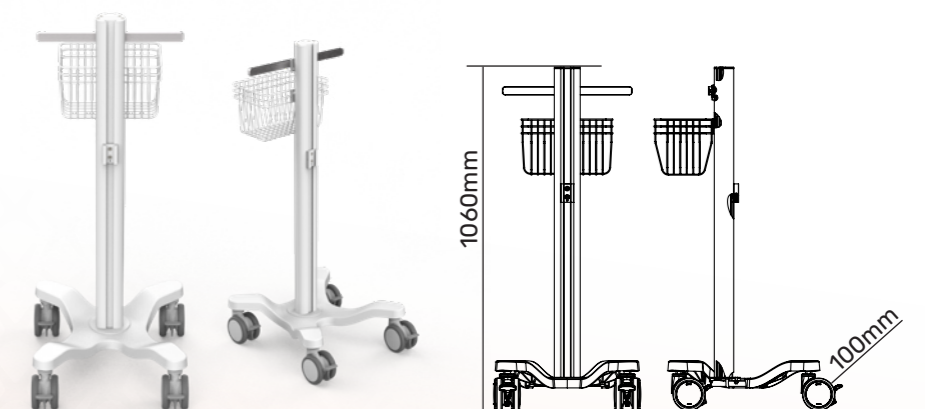
BUG-0

BASIC



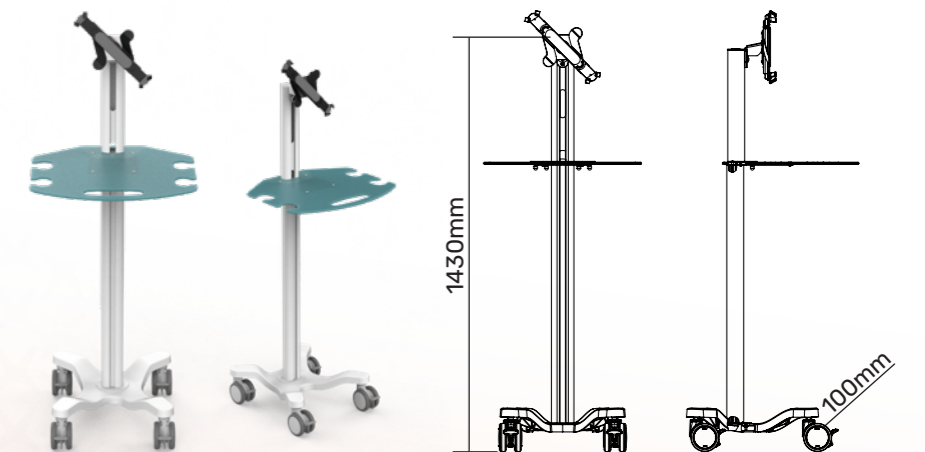
BUG-0-3-0024

DIN RAIL BASKET ACCESSORY MOUNT



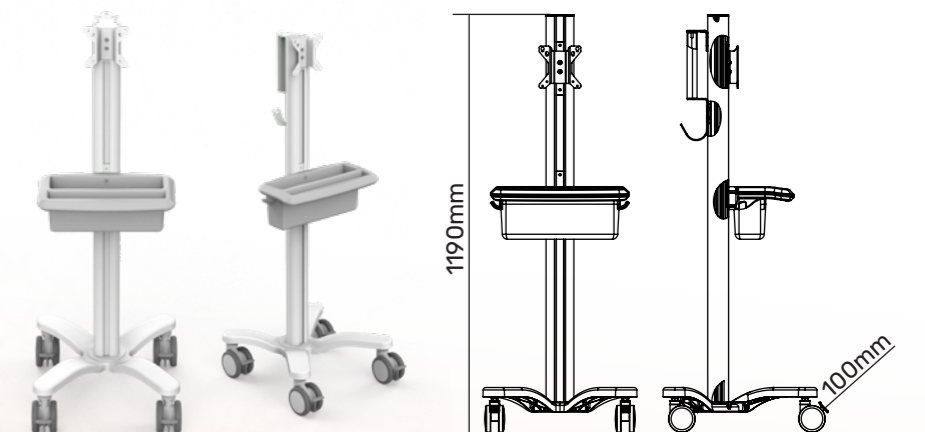
BUG-2-WS12-TM2

ULTRASOUND CART TABLET MOUNT 9-13" or 13-15"



BUG-1-3-0019

DISPLAY MOUNT STORAGE & HANDLE

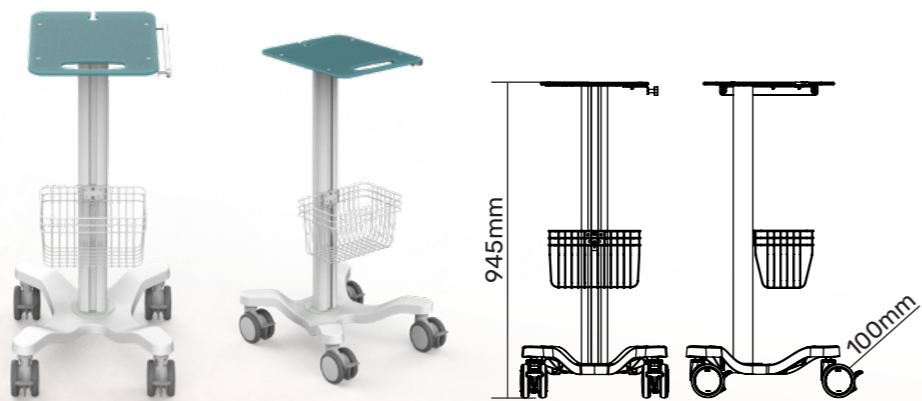


BUG-WS1-DR1

WORK SURFACE

DIN RAIL

BASKET



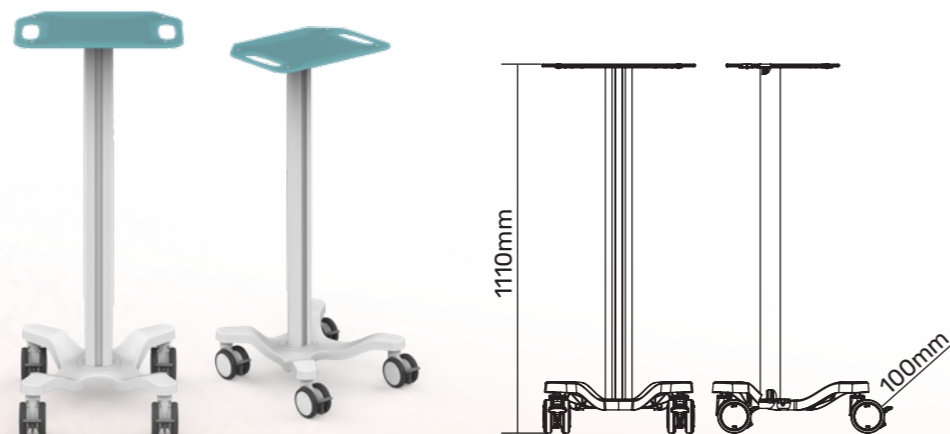
BUG-PHI-2

MOUNTING PLATE



BUG-0-WS13

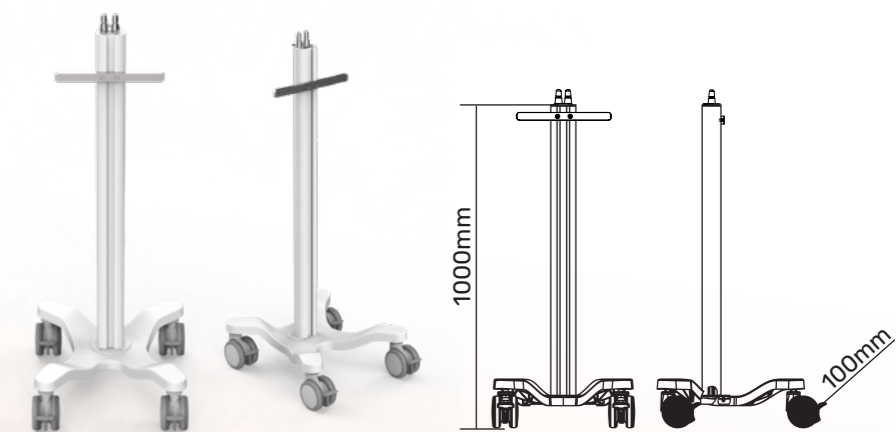
EKG CART



BUG-PHI-4

DIN RAIL

DOUBLE PIN MOUNT

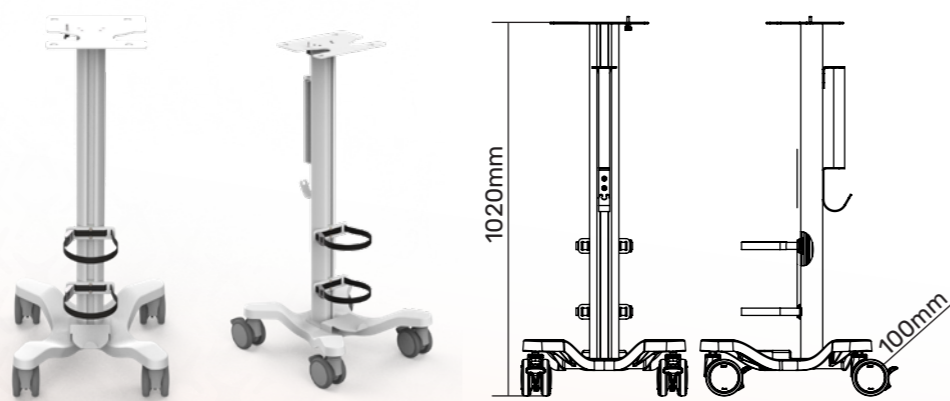


BUG-0-3-0130

MOUNTING PLATE

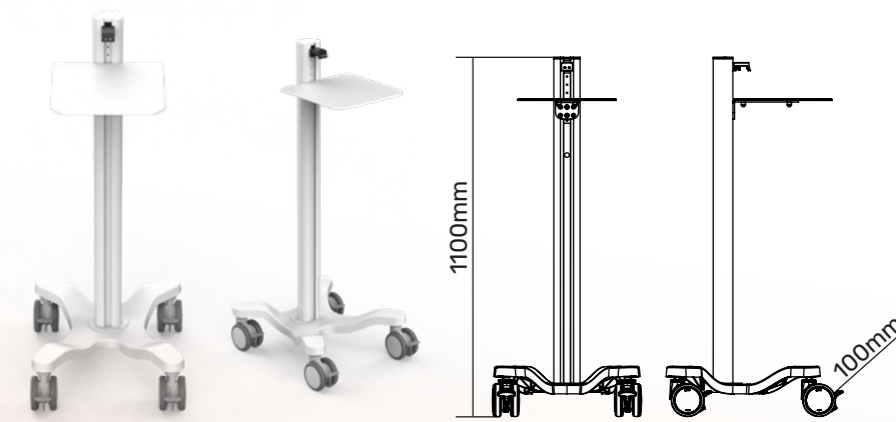
GAS BOTTLE HOLDER

HANDLE & HOOK



BUG-PHI-6

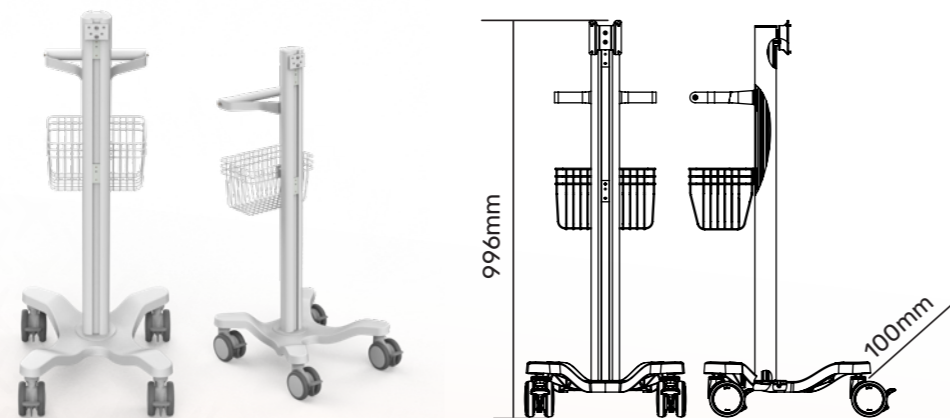
DEFIBRILLATOR CART



BUG-PHI-1

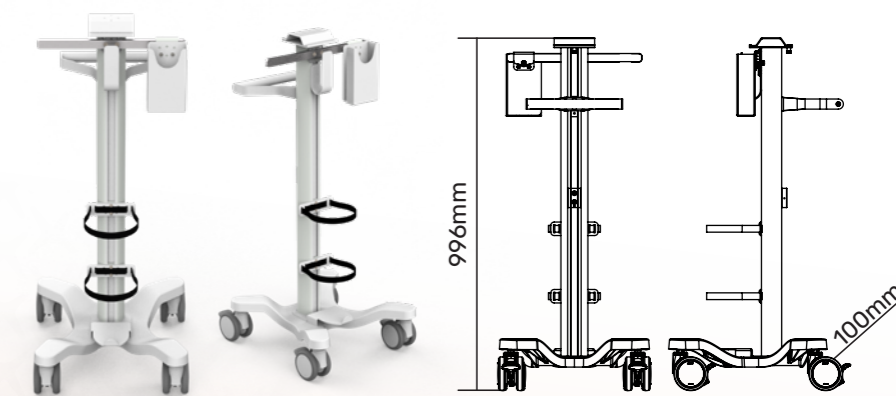
MOUNT

STORAGE & HANDLE

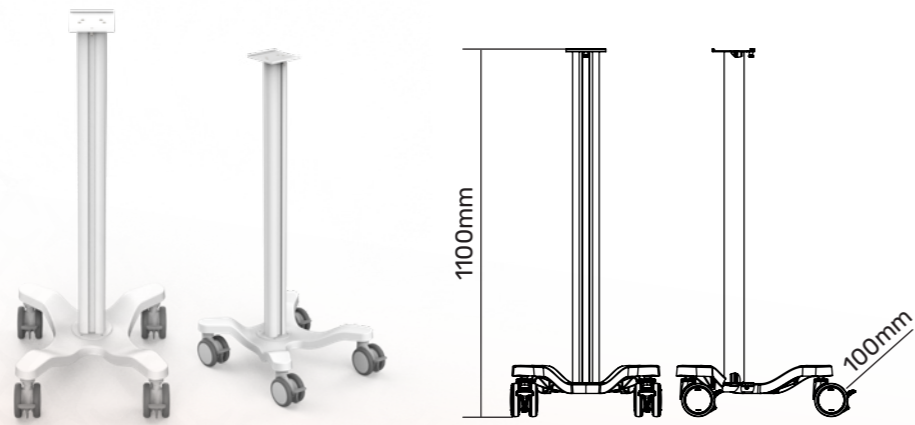


BUG-6-3-0146

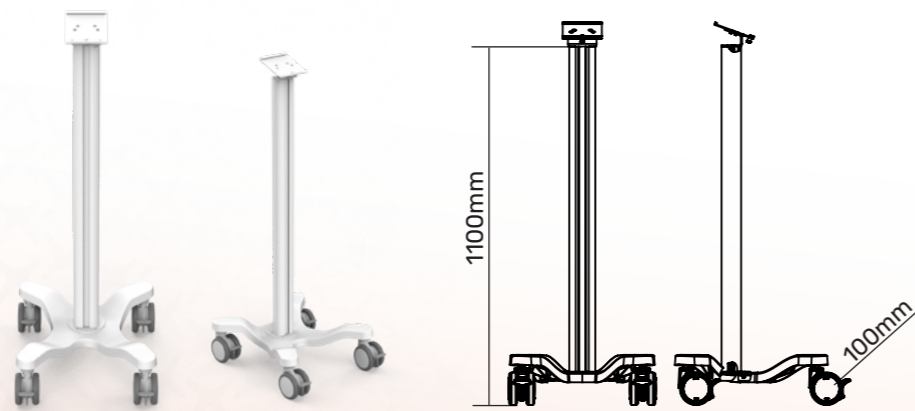
GAS BOTTLE CART



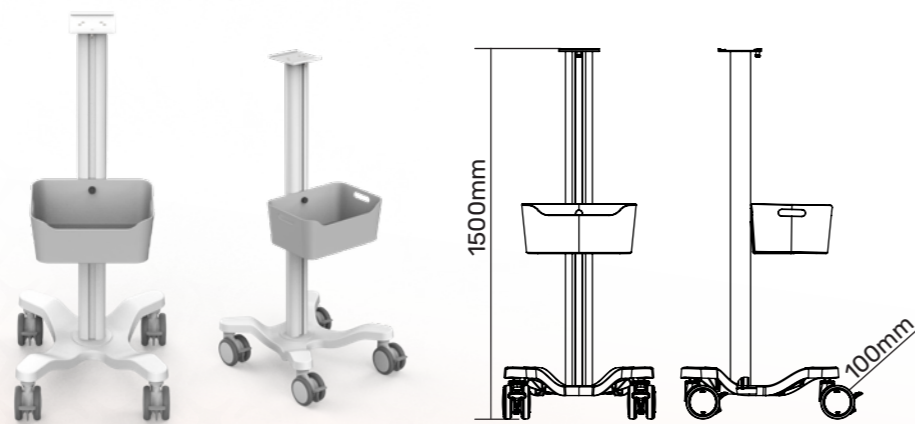
BUG-6
QUICK RELEASE MOUNT



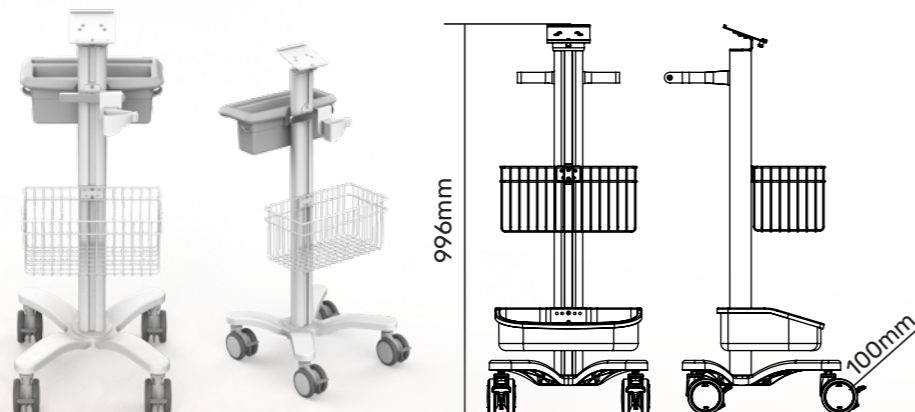
BUG-6-A
QUICK RELEASE MOUNT



BUG-6-MRI-01
QUICK RELEASE MOUNT
BASKET



BUG-6A-3-0056
QUICK RELEASE MOUNT
STORAGE & HANDLE



GIRAFFE RANGE



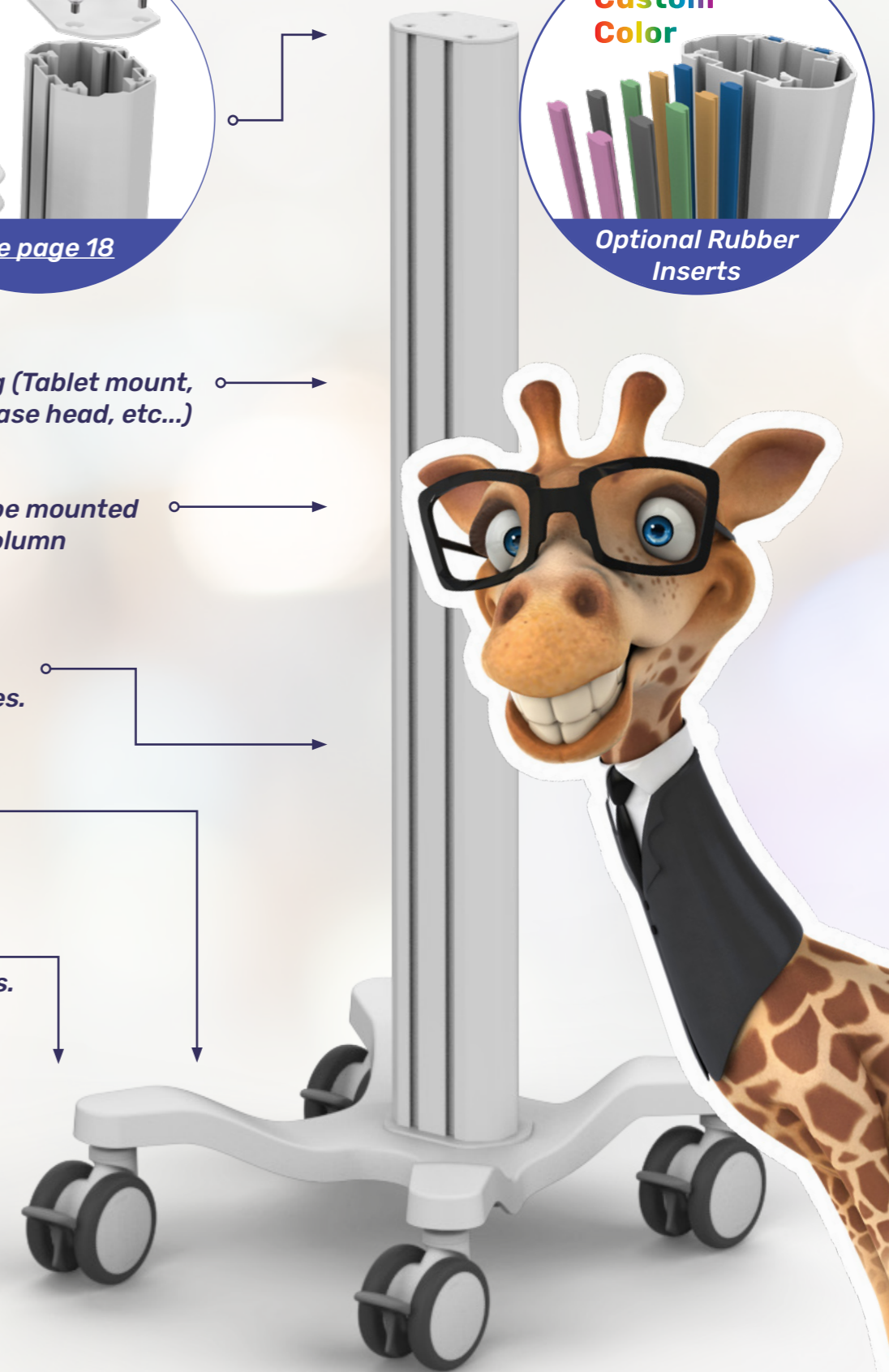
Optional head or mounting (Tablet mount, Display mount, Quick Release head, etc...)

Optional workspace. Can be mounted on the side or top of the column

Column can be fitted with a wide range of accessories.

Four different base options.

Optional 100 or 125 mm diameter antistatic wheels.



Giraffe Carts

Basic Giraffe cart Giraffe Range

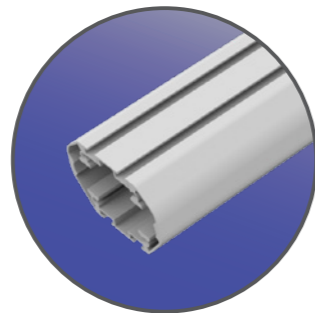
-  **Ergonomic**
-  **Easy to clean**
-  **Multi purpose**
-  **Lifetime warranty**
-  **Quick setup**



FEATURES



Designed and manufactured in Hungary, products are typically 100% recyclable and upgradable in the future. Raw materials are sourced locally or in the EU.



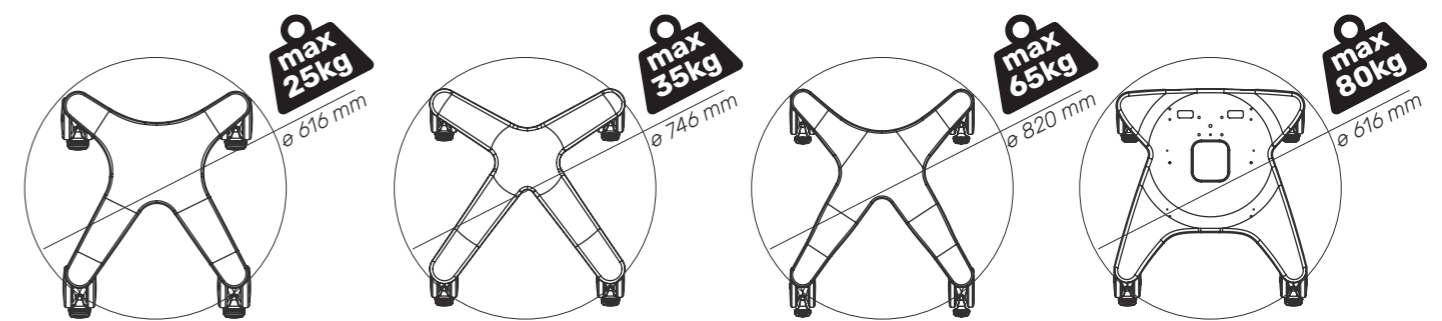
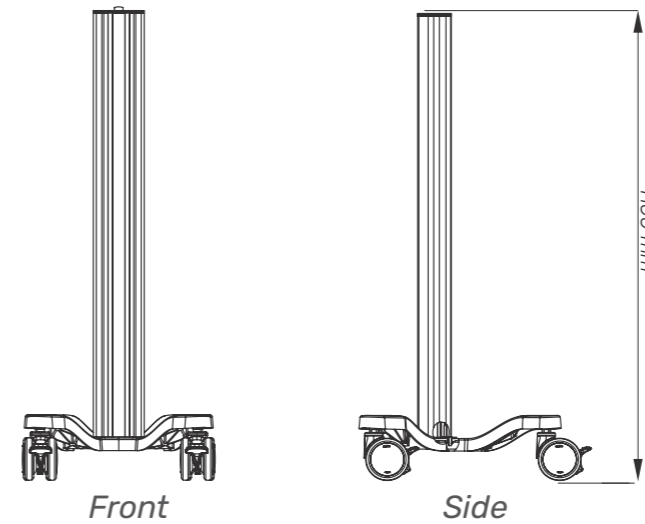
Built in channels to fix accessories



Different bases with lockable wheels

Cart Properties

Dimensions and mechanical data



Range 4 - B1 Base

Range 6 - B3 Base

Range 7 - B4 Base

Range 8 - B6 Base



Mechanical data

Height	Max: 1500 mm
Wheel construction	Polyamide with Polyurethane tread
Wheels/locking	2 lockable, 100mm diameter
Loading capacity up to 1 meter	B1: 25kg, B3: 35kg; B4: 65kg; B6: 80kg

Construction

Main material	Aluminium
---------------	-----------

Color

RAL 9016	
Custom color	

Certificates

Certificates conforms to	IEC60601-1:2012 (Edition 3)
CE	Rohs compliant

Example of a Giraffe Cart

All the accessories shown are available in stock.
For unique accessory requests please contact us!

VESA MOUNT VES2

- Tilt and rotatable display mount up 24"

COLUMN C5-L4

- C5 Column
- L4 - 996 mm tall
- Custom wrapping
- Cable management in body
- Column channels to fix accessories
- Aluminum

SNAKE ARM

SNA2-C5M-051-VM

- Multipurpose arm
- Cable management

WORKTOP CUSTOM

- Acrylic
- Cable holder

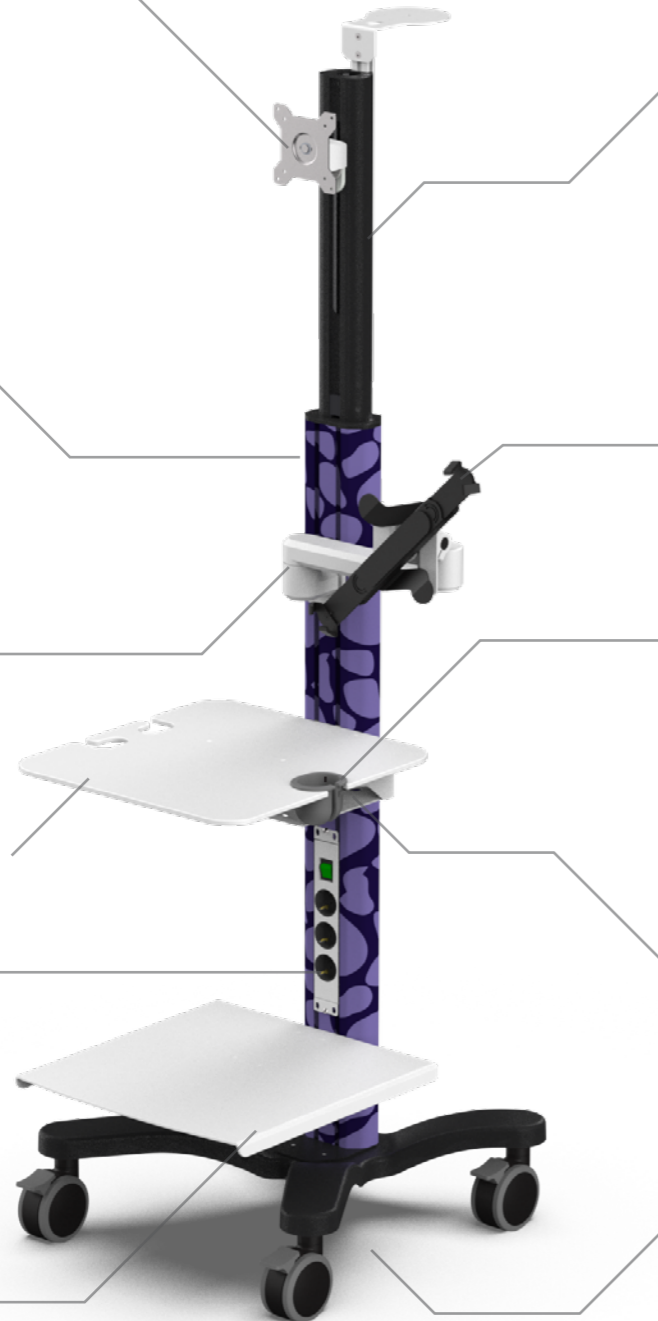
POWER STRIP

PDU3

- 3 plugs
- ON/OFF switch

SHELF S10

- Aluminum 4 mm
- 430x370 mm



CAMERA MOUNT CM2

- 500 mm tall
- 300 mm extension
- Cable management inside

TABLET MOUNT TM2

- For 9.5"-16.5" tablets

HARDWARE INSERT SR2

- Rubber insert for scanners and equipments

POWER SUPPLY HOLDER

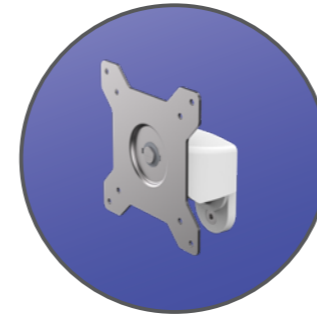
- Hidden under the shelf

BASE B3-W4

- B3 Base
- W4 100 mm wheels (Rubber coated)
- Aluminum
- Black painting
- 65 kg max. load

Equipped Giraffe Cart

Other possible accessories shown in the pictures.
List of all accessories shown on next pages.



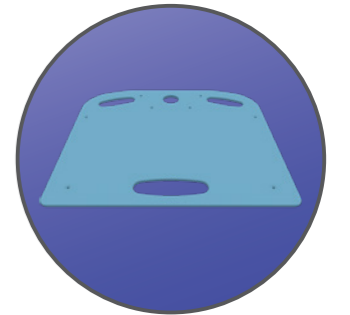
Display and tablet mount options



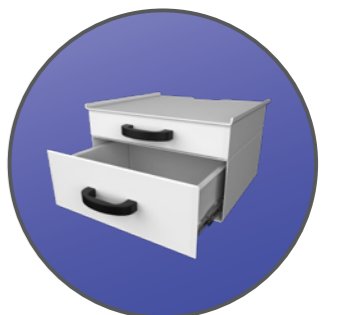
Power supplies, battery pack and its accessories



Base options according to your needs. Smaller footprint or higher level of stability.



Worktop options available



Drawers, shelves and storages available

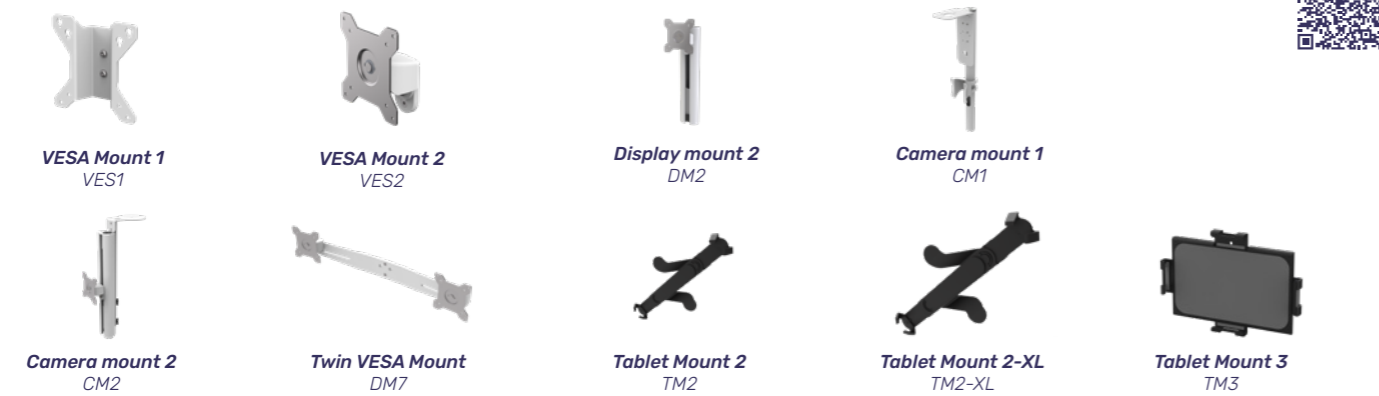
Accessories for Giraffe

Click or scan the QR Codes for Datasheets.

Quick Release options



Display and Tablet Mount options



Holder options



Gas bottle holders



Accessories for Giraffe

Click or scan the QR Codes for Datasheets.

Laptop mounts and DIN Rail



PSU Holder options



Shelf options



CPU Mount options



Drip Pole Clamp and Drip Pole options



Accessories for Giraffe

Click or scan the QR Codes for Datasheets.

Storage and Handle options



Power function options



Drawer options



Keyboard tray options



Accessories for Giraffe

Click or scan the QR Codes for Datasheets.

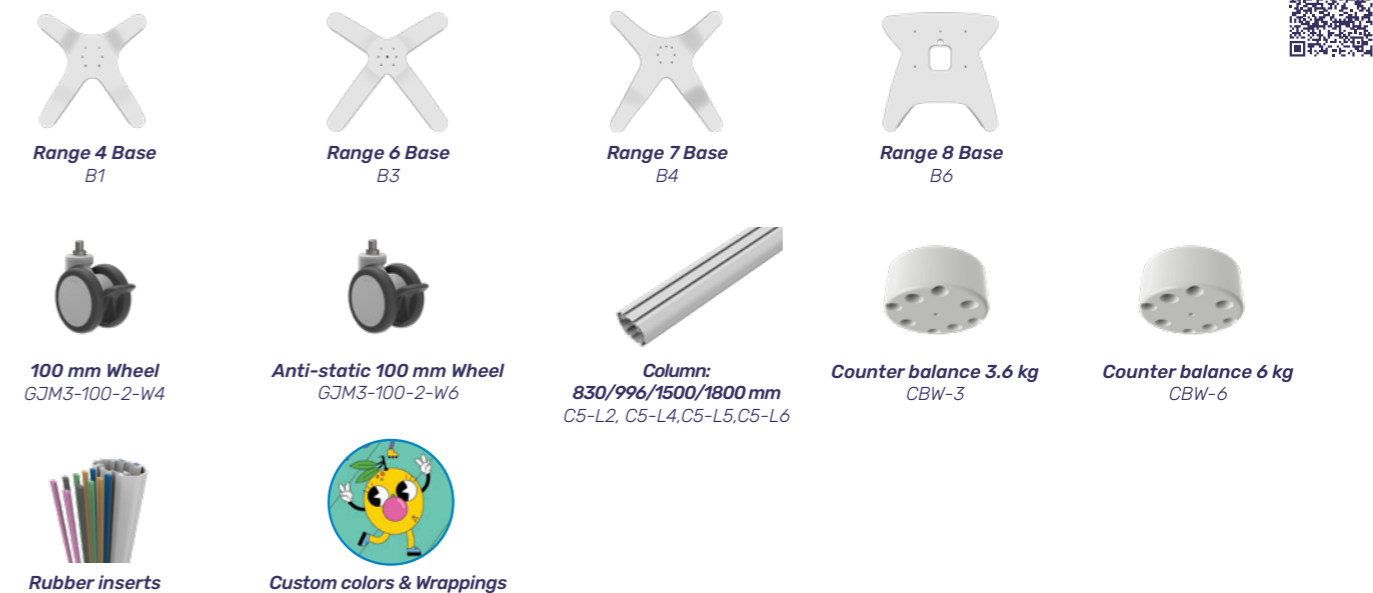
Arm options



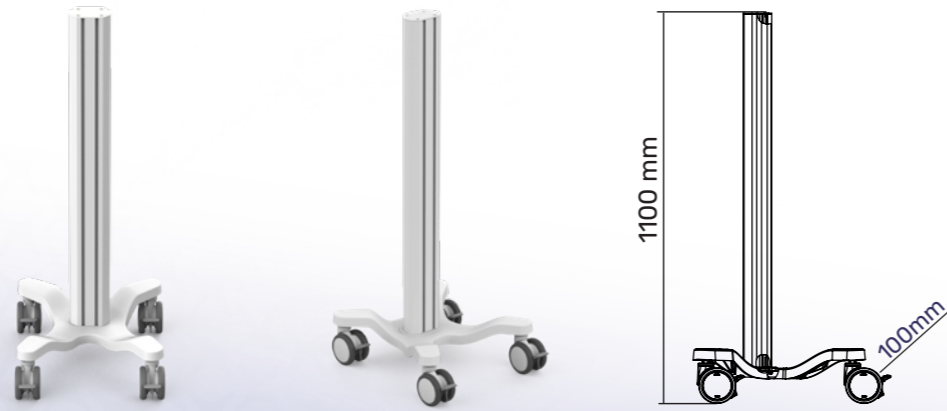
Work surface options



Component options



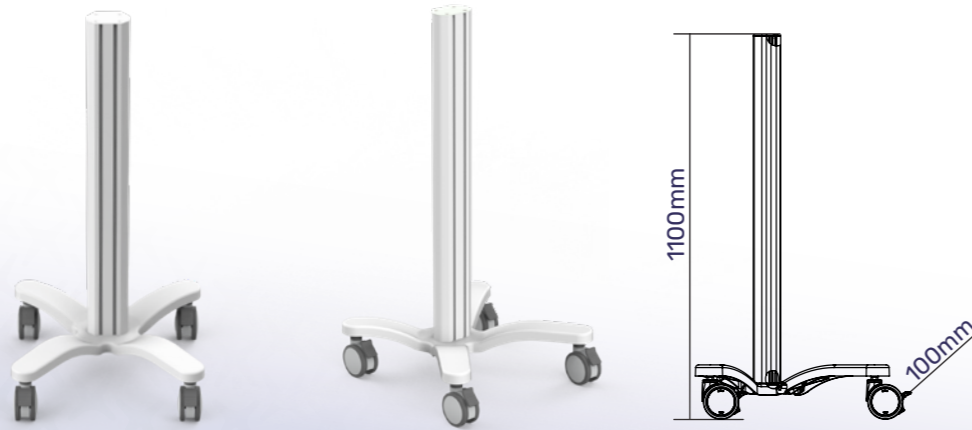
GIR4-0
BASIC GIRAFFE CART



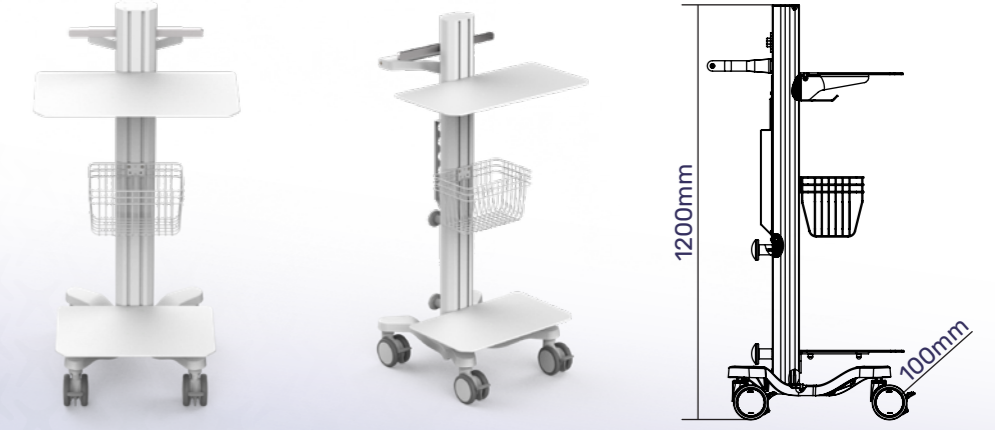
GIR6-V0
GAS BOTTLE HOLDER
HUMIDIFIER MOUNT
BASKET & DIN RAILS



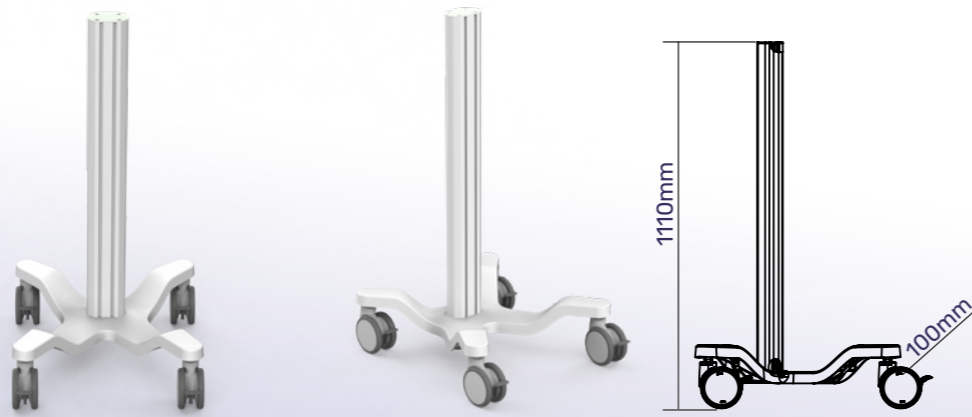
GIR6-0
BASIC GIRAFFE CART



GIR4-3-0077
HANDLE
DIN RAIL
STORAGE & SHELVES



GIR7-0
BASIC GIRAFFE CART



GIR6-3-0065
DISPLAY MOUNT
STORAGE & HANDLE



GIR8-0
BASIC GIRAFFE CART



GIR6-3-0138
DISPLAY MOUNT
POWER STRIP
DRAWERS



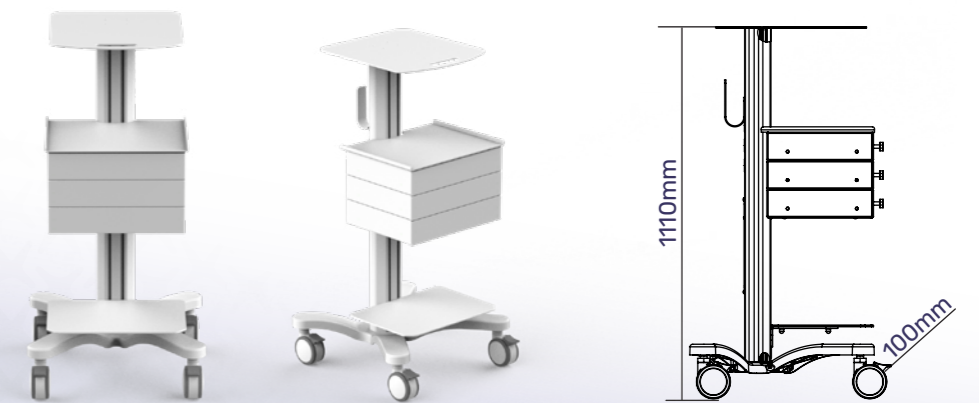
GIR6-V0

GAS BOTTLE HOLDER
HUMIDIFIER MOUNT
BASKET & DIN RAILS



GIR6-3-0112

BUILT IN POWER STRIP
DRAWERS & SHELVES
WORKTOP & HANDLE



GIR6-3-0083

DISPLAY & TABLET MOUNT
POWER STRIP
DRIP POLE



GIR6-3-0061

DISPLAY MOUNT
COMPUTER HOLDER
KEYBOARD TRAY



GIR6-3-0076

WORK SURFACE
DISPLAY MOUNT
POWER STRIP



GIR7-3-0099

DISPLAY MOUNT
GAS SPRING ARM
TRANSFER HOLDER



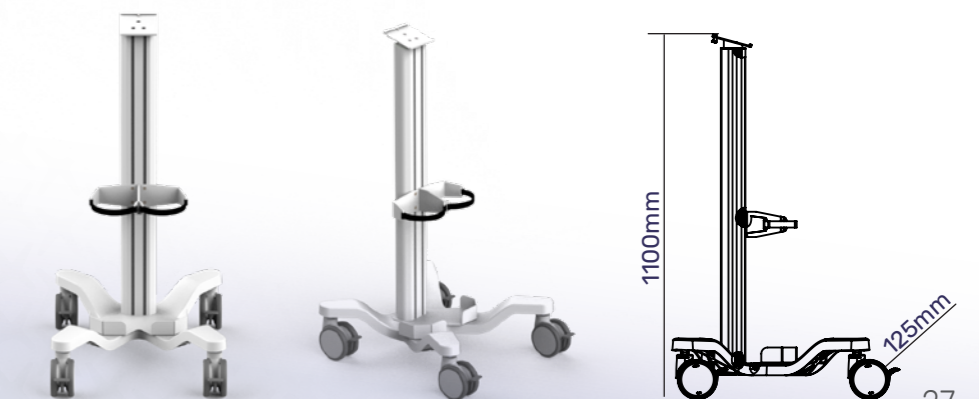
GIR6-3-0098

GAS SPRING ARM
VESA MOUNT
DRAWER & SHELVES



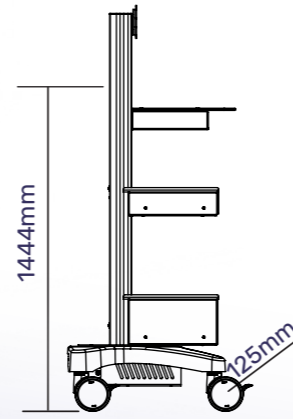
GIR7-6-G

TWIN BOTTLE HOLDER
QUICK RELEASE MOUNT



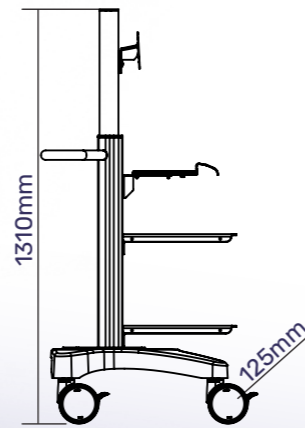
GIR8-3-0163

DISPLAY MOUNT
TRANSFORMER HOLDER
POWER STRIP



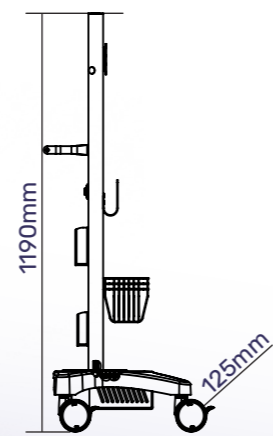
GIR8-3-0137

VESA
KEYBOARD TRAY
SHELVES



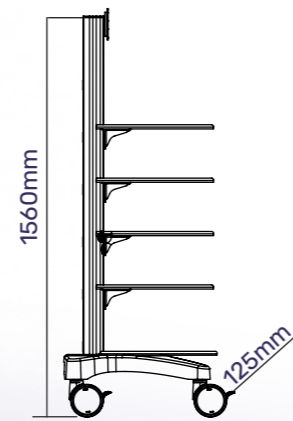
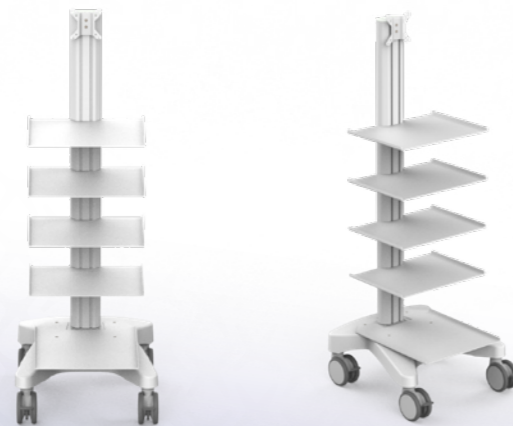
GIR8-3-0173

DISPLAY MOUNT
TRANSFORMER HOLDER
STORAGE & HANDLE



GIR8-3-0090

SHELVES
DISPLAY MOUNT



CHAMELEON RANGE



Optional mounting. (Tablet Mount, Display Mount, Laptop Mount)

Column height adjustable between 775 and 1135 mm

Column can be fitted with a wide range of accessories.

Three different base options

Optional 100 or 125 mm diameter antistatic wheels.



Chameleon Carts

Height adjustable cart
for general purposes

Chameleon Range



Ergonomic



Easy to clean



Multi purpose



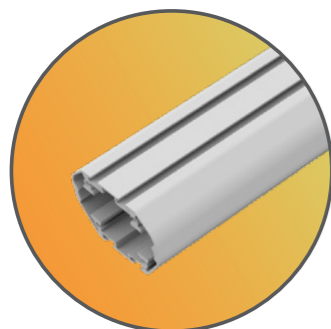
Lifetime warranty



Quick setup



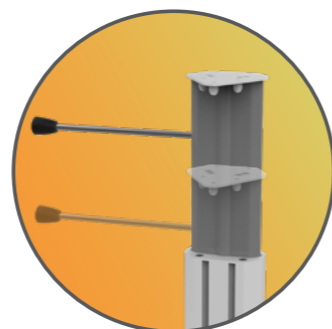
FEATURES



Built in channels to fix accessories



Different bases with lockable wheels



Height adjustment



Designed and manufactured in Hungary, products are typically 100% recyclable and upgradable in the future. Raw materials are sourced locally or in the EU.

Provicon GmbH - Ziegeleistrasse 19, 8360 Eschlikon
Phone: +41 71 920 02 44 - Email: info@provicon.ch - www.provicon.ch

Cart Properties

Dimensions and mechanical data



More info
on website



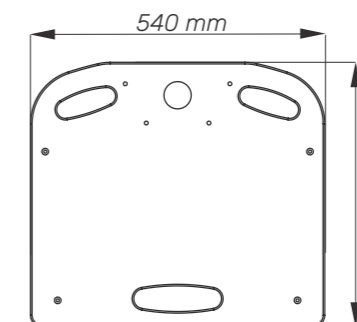
Range 7 - B4 Base



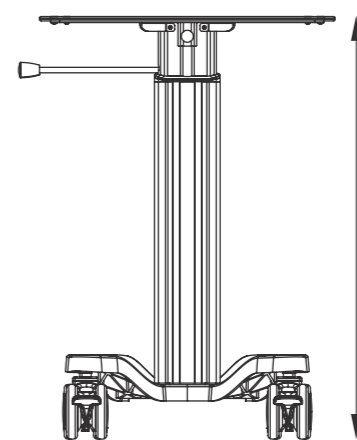
Range 6 - B3 Base



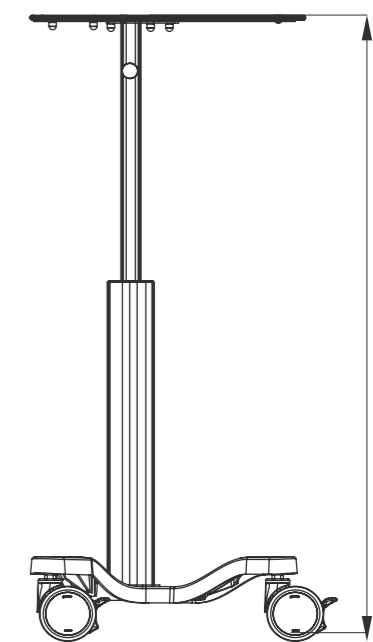
Range 4 - B1 Base



Worksurface



Front



Side

Mechanical data

Height	Min: 760 mm Max: 1130 mm
Wheels/locking	2 lockable, 100mm diameter
Loading capacity up to 1 meter	B1: 25kg, B3: 35kg; B4: 65kg;

Construction

Main material	Aluminium, PMMA
---------------	-----------------

Color

RAL 9016	
Custom color	

Certificates

Certificates conforms to	IEC60601-1:2012 (Edition 3)
CE	Rohs compliant

Provicon GmbH - Ziegeleistrasse 19, 8360 Eschlikon
Phone: +41 71 920 02 44 - Email: info@provicon.ch - www.provicon.ch

Example of a Chameleon Cart

All the accessories shown are available in stock.
For unique accessory requests please contact us!

LAPTOP MOUNT LM4

- Depth adjustable
- Up to 17" laptops

GEL HOLDER GH1

- DIN Rail mounted

KEYBOARD TRAY KB2

KB2

- Wrist support
- Mouse holder
- Mouse tray
- Can be hidden under work surface

DRAWERS D2

- Push to open
- Shelf on top

COLUMN C5-L4

- C5H Column
- Variable height 760-1130 mm
- Gas spring
- Custom wrapping
- Column channels to fix accessories
- Aluminum

LAPTOP PROTECTOR LM1

- 424 mm wide
- Up to 17" laptops

WORK SURFACE WS6

- 540x485 mm
- Aluminium, colored

SCANNER HOLDER SH1

- DIN Rail mounted

DIN RAIL DR1

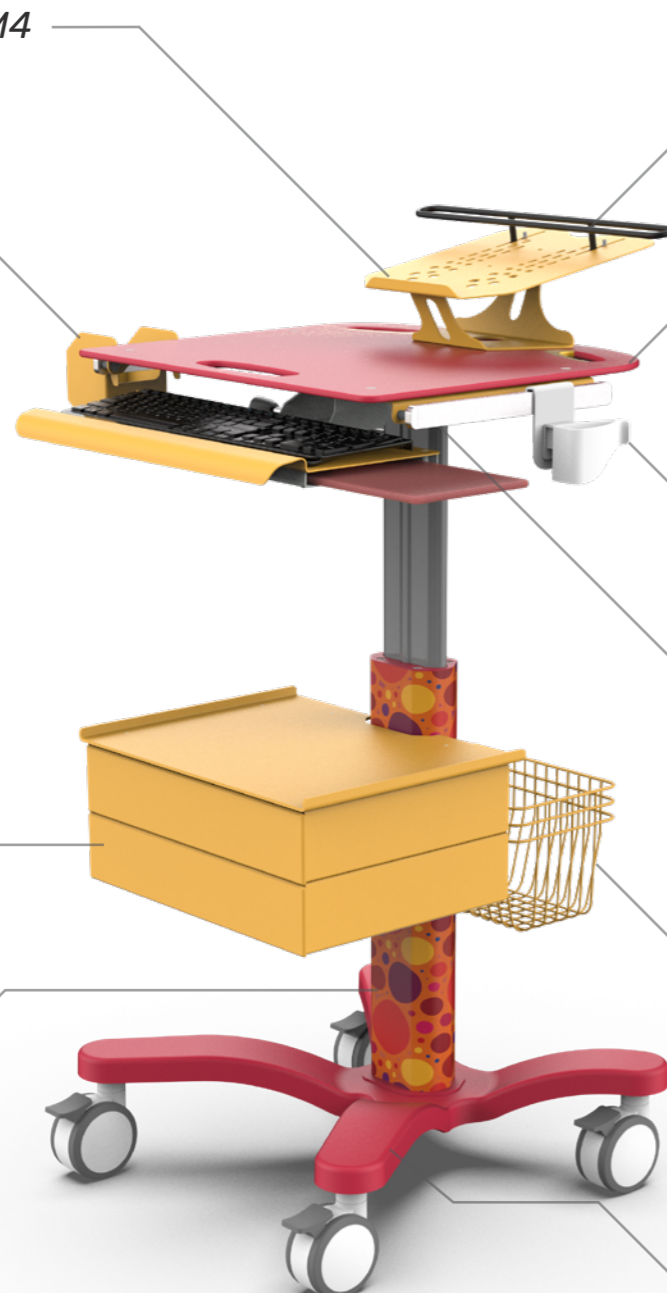
- 300x10x25 mm

STORAGE ST1

- Hidden under the shelf

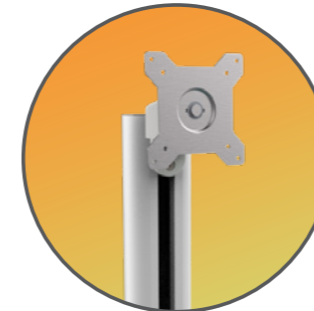
BASE B3-W4

- B3 Base
- W4 100 mm wheels (Rubber coated)
- Aluminum
- Cherry painting
- 35 kg max. load

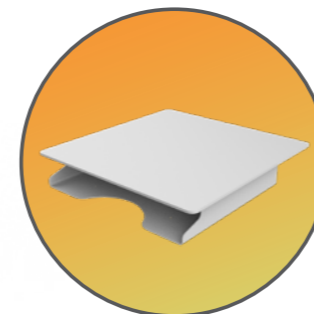


Equipped Chameleon Cart

Other possible accessories shown in the pictures.
List of all accessories shown on next pages.



Display and tablet mount options



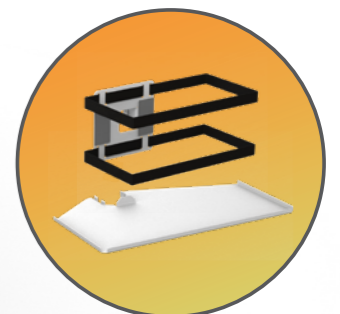
Drawers, shelves and storages available



Base options according to your needs. Smaller footprint or higher level of stability.



Battery pack and power supply accessories



Desktop computer and other mounting solutions available

Accessories for Chameleon

Click or scan the QR Codes for Datasheets.

Display and Tablet Mount options



VESA Mount 1
VES1



VESA Mount 2
VES2



Display mount 2
DM2



Display mount 5
DM5



Display mount 6
DM6



Display mount 7
DM7



Display mount 8
DM8



Display mount 9
DM9



Camera mount 1
CM1



Camera mount 2
CM2



Tablet Mount 2
TM2



Tablet Mount 2-XL
TM2-XL



Tablet Mount 3
TM3

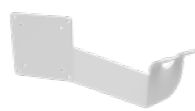
Holder options



Mouse Holder
MH1



Scanner Holder 1
SH1



Scanner Holder 2
SH2



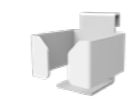
Scanner Holder 3
SH3



Scanner Holder 4
SH4



Gel Holder 1
GH1



Gel Holder 2
GH2



Gel Holder 3
GH3



Cable Hook
CH1-C2



Cable Hook
CH2-C2



Rubber Scanner Holder 1
SR1



Rubber Scanner Holder 2
SR2



Rubber Scanner Holder 3
SR3



Humidifier mount
AM1

Gas bottle holders



Gas Bottle Holder 1
GBH1

Accessories for Chameleon

Click or scan the QR Codes for Datasheets.

DIN Rail options

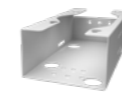


Din Rail 300x10x25mm
DR1



Din Rail 400x10x25mm
DR3-C5

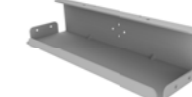
PSU Holder options



PSU Holder 1
PSH1-C5



PSU Holder 2
PSH2-C5



PSU Holder 3
PSH4-C5



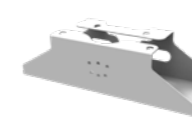
PSU Holder 4
PSH4-C5



PSU Holder 5
PSH5-C5



PSU Holder 7
PSH7-C5



PSU Holder 8
PSH8-C5



PSU Holder 9
PSH9-C5

Shelf options



Shelf 1
S1-C5



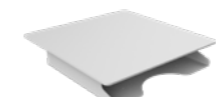
Shelf 2
S2-C5



Shelf 3
S3-C5



Shelf 4
S4-C5



Shelf 6
S6-C5



Shelf 8
S8-C5



Shelf 10
S10-C5



Shelf 11
S11-C5

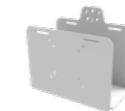
CPU Mount options



CPU Mount Small
CPU1



CPU Mount Medium
CPU2



CPU Mount Big
CPU3



CPU Mount Large
CPU4

Drip Pole Clamp and Drip Pole options



Drip Pole Clamp 12.7mm
DRC1



Drip Pole Clamp 25mm
DRC2



Drip Pole
IV1

Accessories for Chameleon

Click or scan the QR Codes for Datasheets.

Storage options



Small Basket
ST1-C5



Large Basket
ST2-C5



Storage Bin
ST3-C5



Small Basket
ST6-C5



Large Basket
ST7-C5



Storage Bin
ST8-C5



Handle and Storage
ST5-C5

Power function options



Power strip 3
PDU3



Power strip 4
PDU4



Power strip 5
PDU5



Power strip 8
PDU8



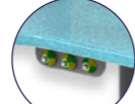
Potential Equalisation pin
POW-A2-15/25



Potential Equalisation socket
POW-A3-15/25



Potential Equalisation cable
POW-A4-3/5



POAG Studs
POW-A1



Battery Pack
PWP

Drawer options



Drawer 1
D1



Drawer 2
D2



Drawer 3
D3



Drawer 4
D4



Drawer 5
D5



Drawer 6
D6



Drawer 7
D7



Drawer 8
D8



Drawer 9
D9



Drawer 10
D10



Drawer 11
D11

Laptop mount options



Laptop protector
LM2



Laptop protector
LM3



Laptop mount
LM4



Accessories for Chameleon

Click or scan the QR Codes for Datasheets.

Arm options



Snake 1 Arm
SNA1-XX-L3-FLH



Snake 2 VESA mount
SNA2-XXX-00-VM



Work surface options



Work surface 3
WS3



Work surface 6
WS6



Work surface 7
WS7



Work surface 11
WS11



Work surface 13
WS13



Work surface 15
WS15



Ultra sound work surface 3
WS-US3



Ultra sound work surface 2
WS-US2



Custom colored
Aluminum work surfaces

Keyboard tray options



Keyboard Tray
KB1



Keyboard Tray
KB2



Component options



Range 4 Base
B1



Range 6 Base
B3



Range 7 Base
B4



Counter balance 3.6 kg
CBW-3



Counter balance 6 kg
CBW-6



100 mm Wheel
GJM3-100-2-W4



Anti-static 100 mm Wheel
GJM3-100-2-W6



Rubber inserts



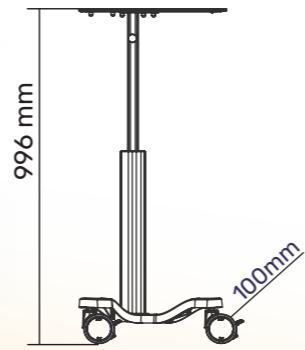
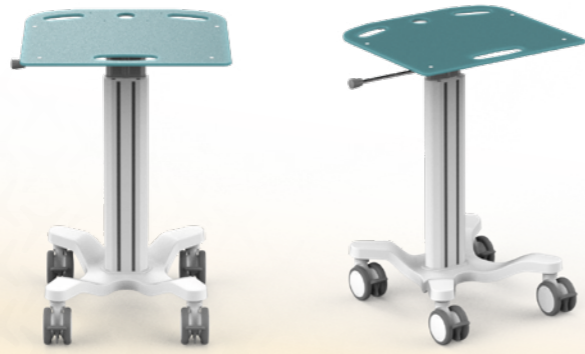
Height adjustable column
C5H



Custom colors & Wrappings

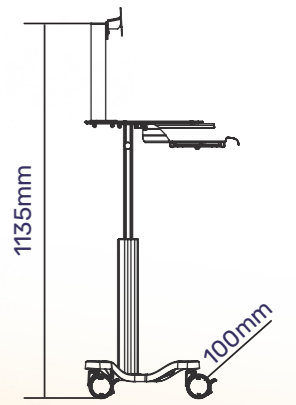
CHA4-0

BASIC



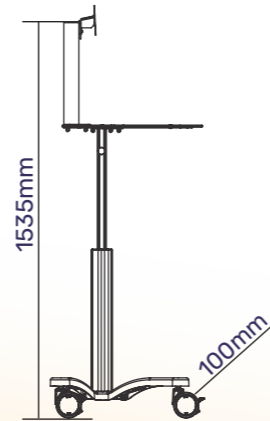
CHA4-4

DISPLAY MOUNT
KEYBOARD TRAY



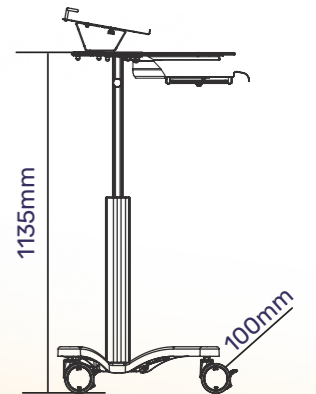
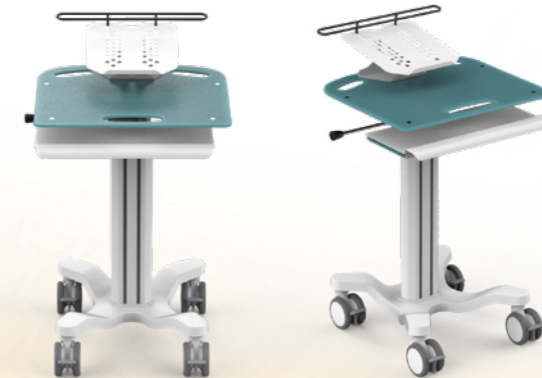
CHA4-1

DISPLAY MOUNT



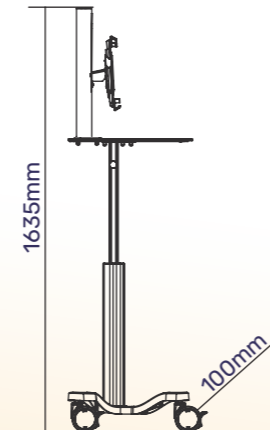
CHA4-5

LAPTOP MOUNT
KEYBOARD TRAY



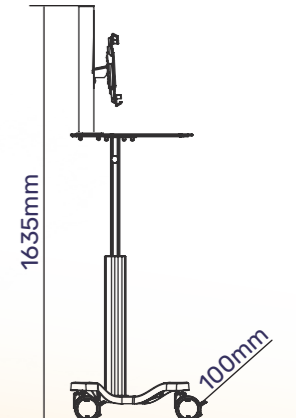
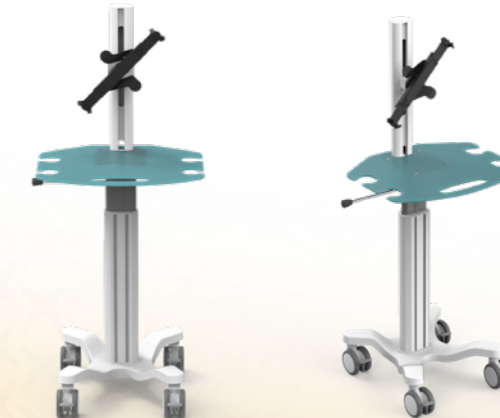
CHA4-2

TABLET MOUNT



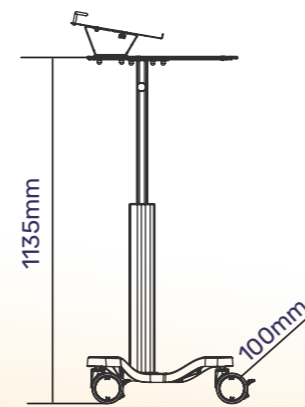
CHA4-TM2-WS12

TABLET MOUNT
SCANNER HOLDERS



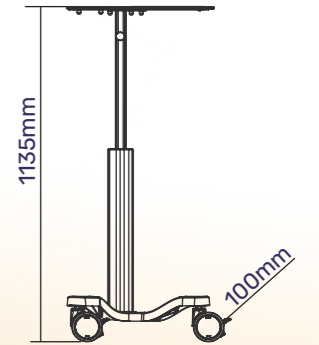
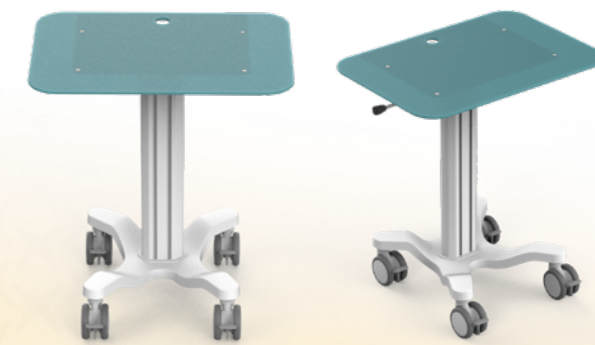
CHA4-3

LAPTOP MOUNT



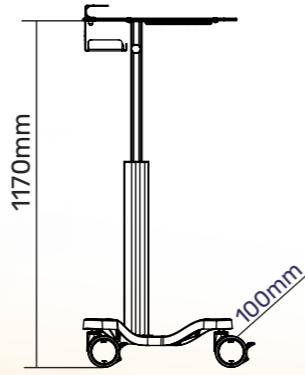
CHA4-8

LARGE WORK SURFACE



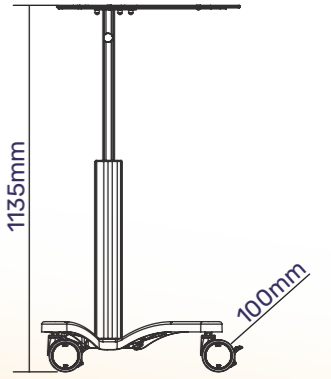
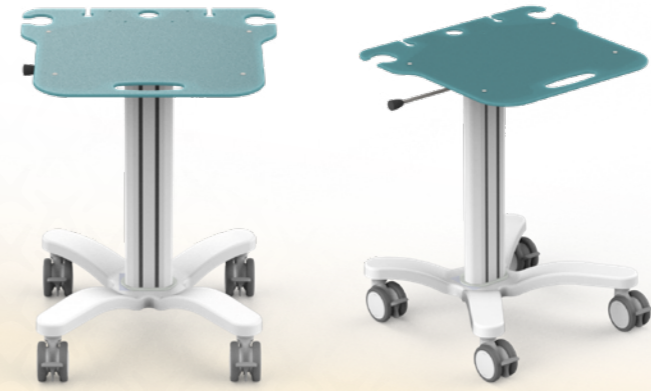
CHA4-3-B

LAPTOP PROTECTOR
PSU HOLDER
MOUSE TRAY



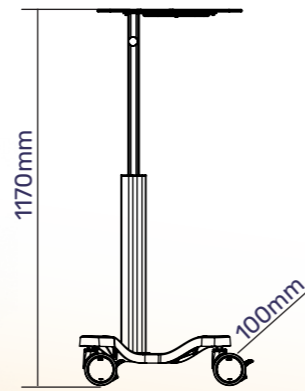
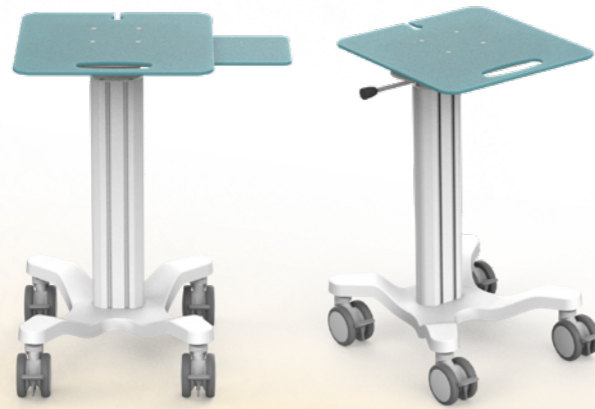
CHA6-0

BASIC



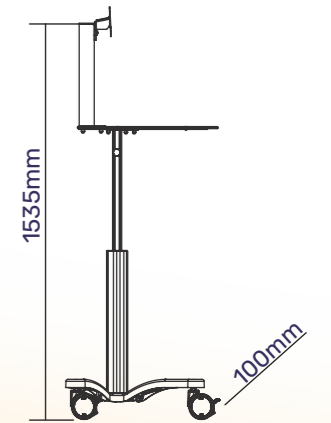
CHA4-3-B-WS3

WORK SURFACE
MOUSE TRAY



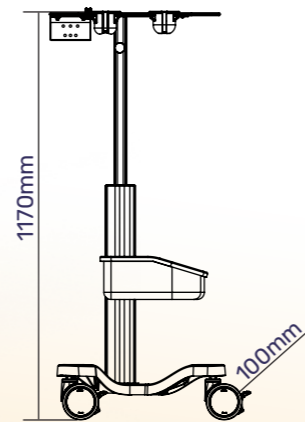
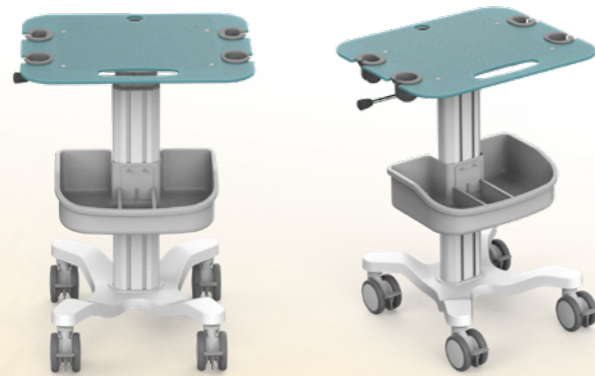
CHA6-1

DISPLAY MOUNT



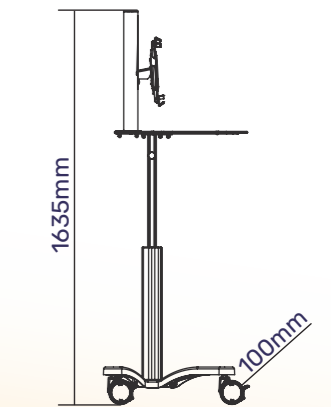
CHA4-3-0072

SCANNER HOLDERS
PSU HOLDER
STORAGE



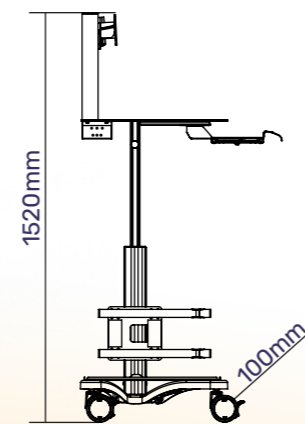
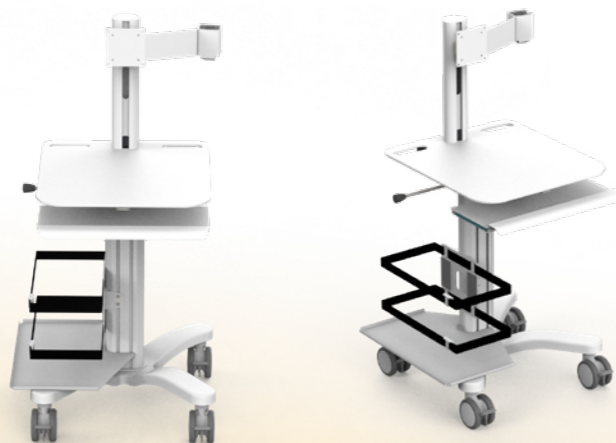
CHA6-2

TABLET MOUNT



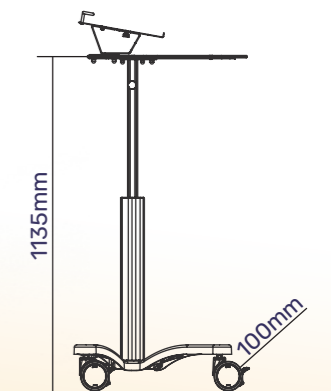
CHA6-IMG

COMPUTER HOLDER
DISPLAY MOUNT
SCANNER HOLDER

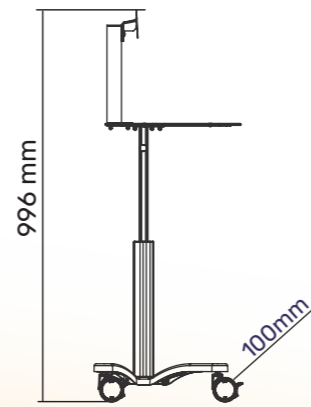


CHA6-3

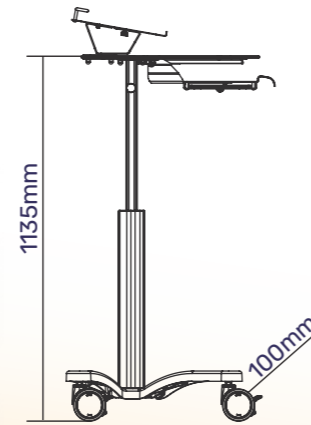
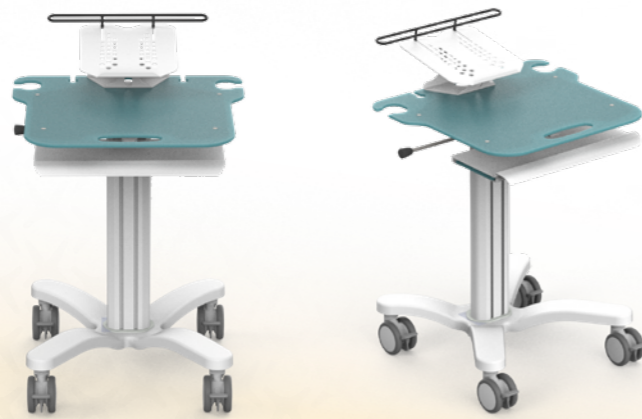
LAPTOP MOUNT



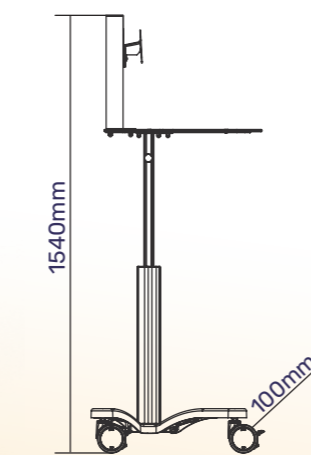
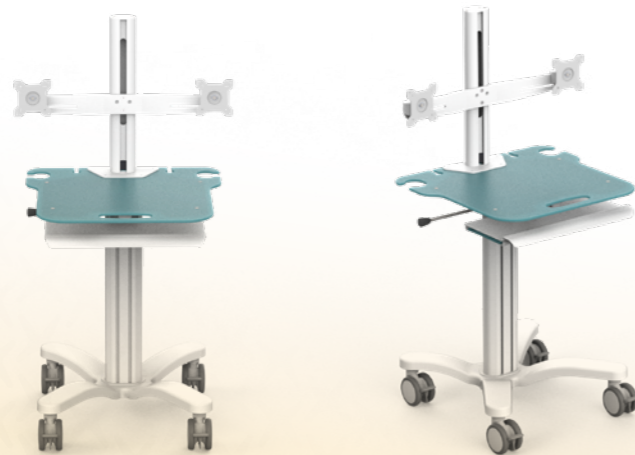
CHA6-4
 DISPLAY MOUNT
 KEYBOARD TRAY



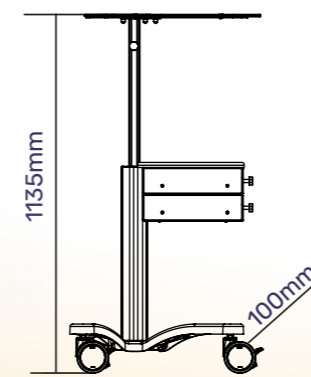
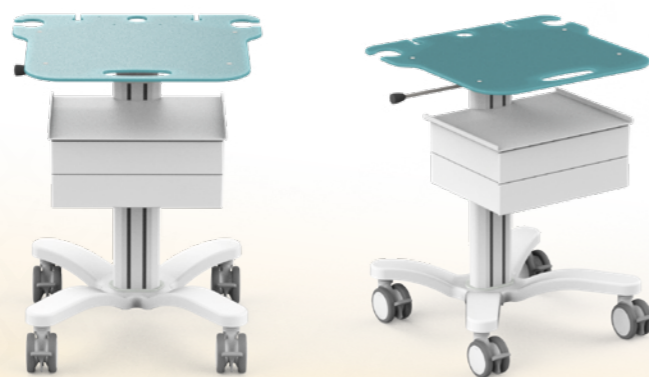
CHA6-5
 LAPTOP MOUNT
 KEYBOARD TRAY



CHA6-10
 DISPLAY MOUNTS
 KEYBOARD TRAY



CHA6-0-D2
 DOUBLE DRAWER



RHINO RANGE



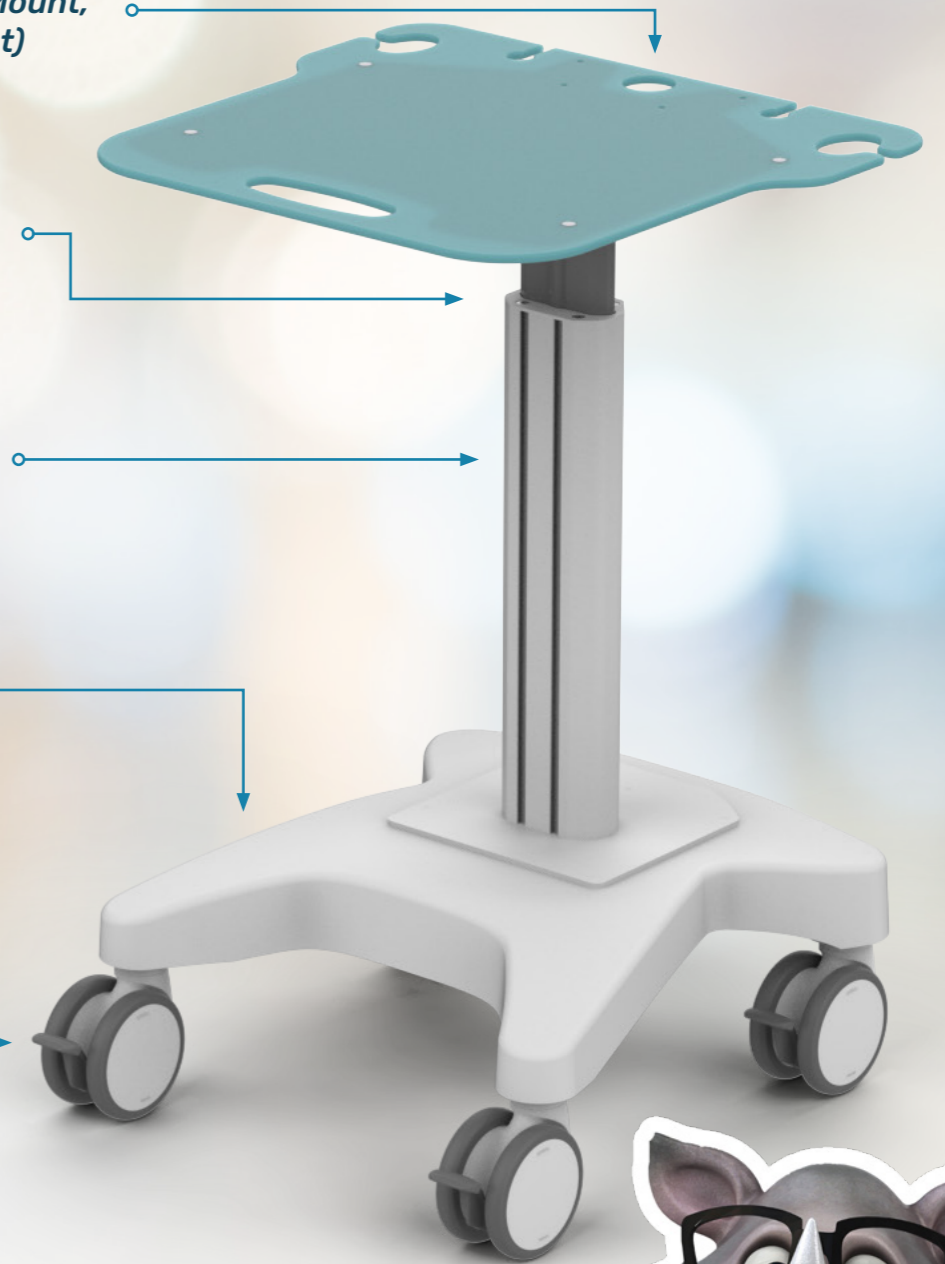
Optional mounting. (Tablet Mount, Display Mount, Laptop Mount)

Column height adjustable between 774 and 1137 mm

Column can be fitted with a wide range of accessories.

85 kg maximum load capacity base.

100 mm diameter antistatic wheels.



Rhino carts

Height adjustable cart
for heavy duty purposes

Rhino Range

-  **Ergonomic**
-  **Easy to clean**
-  **Multi purpose**
-  **Lifetime warranty**
-  **Quick setup**

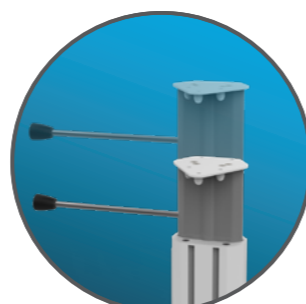


FEATURES

Designed and manufactured in Hungary, products are typically 100% recyclable and upgradable in the future. Raw materials are sourced locally or in the EU.



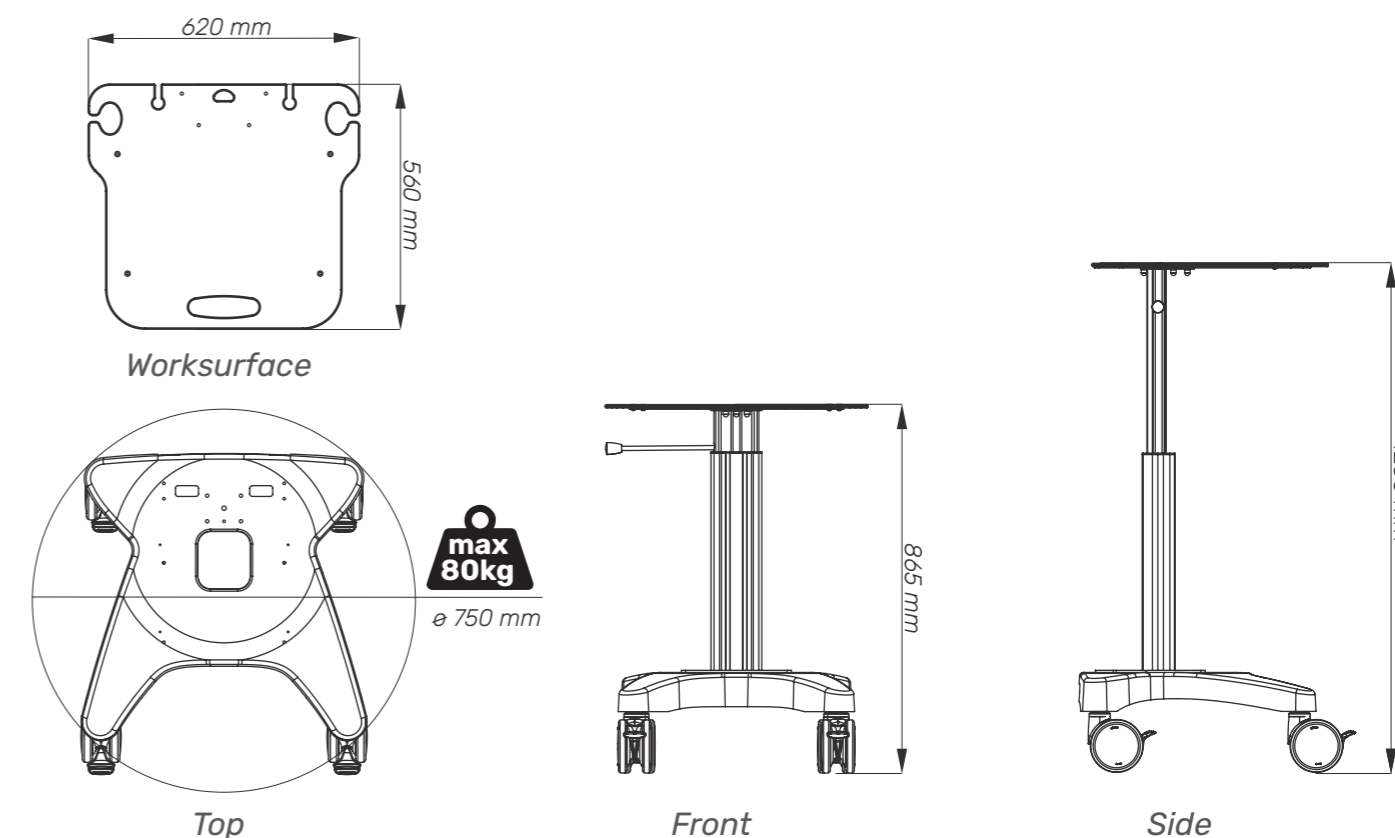
Lockable wheels




Height adjustment and column channels to fix accessories

Cart Properties

Dimensions and mechanical data



Mechanical data	
Height	Min.: 865 mm Max.: 1200 mm
Wheelbase dimension	750 mm (diameter)
Work surface dimensions	Width: 620 mm Height: 560 mm
Wheels/locking	2 lockable, 125mm diameter
Loading capacity up to 1 meter	80 kg
Construction	
Main material	Aluminium
Color	
RAL 9016	
Custom color	
Certificates	
Certificates conforms to	IEC60601-1:2012 (Edition 3)
CE	Rohs compliant

Example of a Rhino Cart

All the accessories shown are available in stock.
For unique accessory requests please contact us!

DISPLAY MOUNT LM4

- Height adjustable
- Up to 27" displays
- Tilttable
- Rotatable

KEYBOARD TRAY KB2

- Wrist support
- Mouse holder
- Mouse tray
- Can be hidden under work surface

DRAWER D5

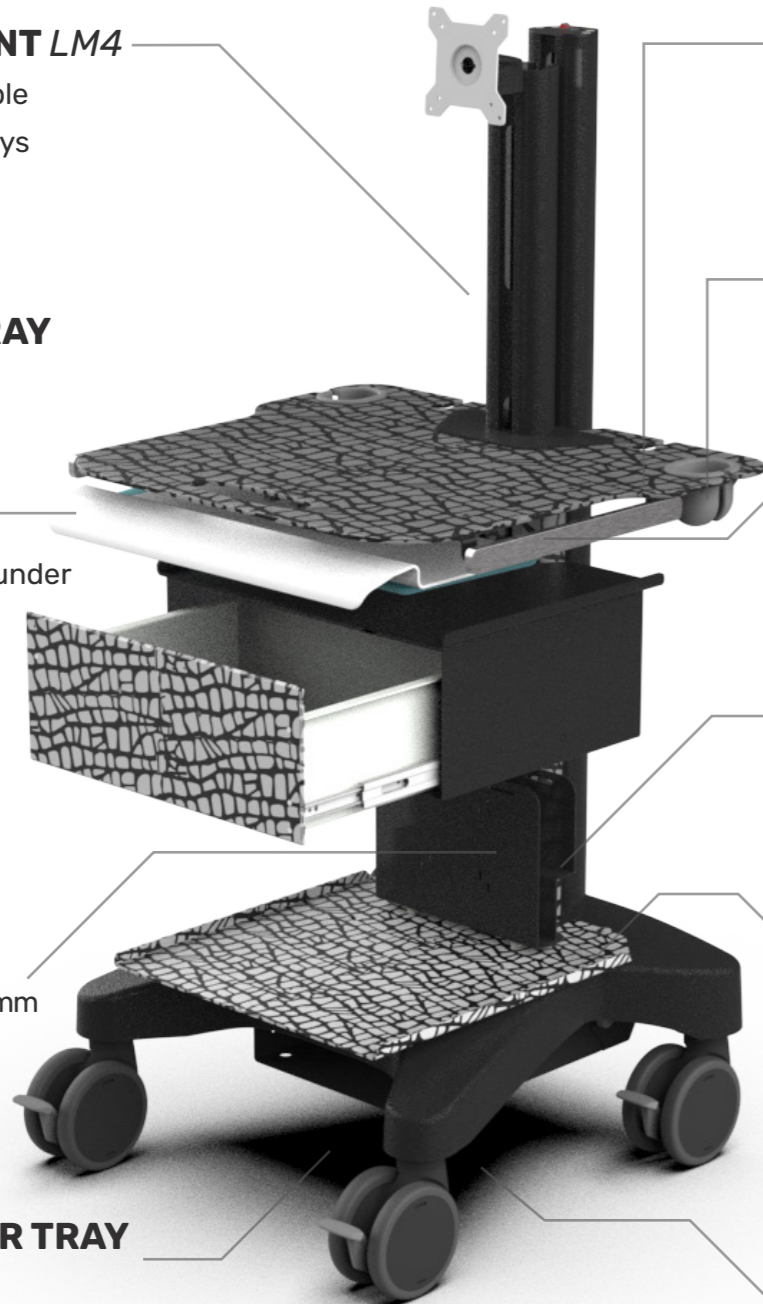
- Push to open
- Shelf on top

COMPUTER MOUNT CPU1

- 250x221x47/97 mm
- Variable width

TRANSFORMER TRAY ITH1

- Potential equalisation pin on housing
- 260x124x305 mm internal dimension



WORK SURFACE WS11

- 540x620 mm
- Acrylic, available in aluminium

RUBBER INSERTS

- For scanners

DIN RAIL DR1

- 300x10x25 mm

COLUMN C5-L2

- C5 Column
- Fixed height
- Aluminum

SHELF CUSTOM

- Custom shape
- Custom painting

BASE B6-W4

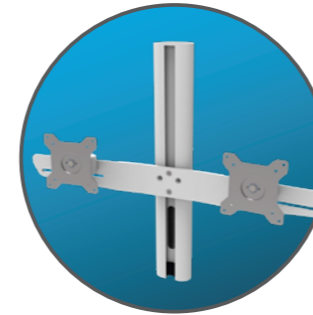
- B1 Base
- W4 100 mm wheels (Rubber coated)
- Aluminum
- Black painting

Equipped Rhino Cart

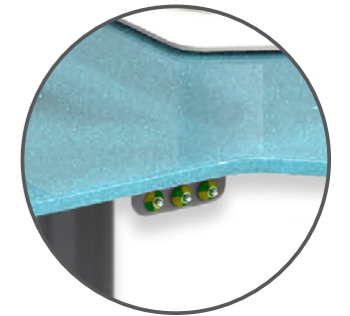
Other possible accessories shown in the pictures.
List of all accessories shown on next pages.



Power options



Display and tablet mount options



Potential equalisation solutions



Holders for PC, devices and equipments



Work surface options, available in colored aluminum



Power supplies, battery pack and its accessories



Built-in power strips available

Accessories for Rhino

Click or scan the QR Codes for Datasheets.

Display and Tablet Mount options



VESA Mount 1
VES1



VESA Mount 2
VES2



Display mount 2
DM2



Display mount 5
DM5



Display mount 6
DM6



Display mount 7
DM7



Display mount 8
DM8



Display mount 9
DM9



Camera mount 1
CM1



Camera mount 2
CM2



Tablet Mount 2
TM2



Tablet Mount 2-XL
TM2-XL



Tablet Mount 3
TM3

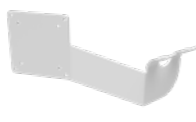
Holder options



Mouse Holder
MH1



Scanner Holder 1
SH1



Scanner Holder 2
SH2



Scanner Holder 3
SH3



Scanner Holder 4
SH4



Gel Holder 1
GH1



Gel Holder 2
GH2



Gel Holder 3
GH3



Cable Hook
CH1-C5



Cable Hook
CH2-C5



Rubber Scanner Holder 1
SR1



Rubber Scanner Holder 2
SR2



Rubber Scanner Holder 3
SR3



Humidifier mount
AM1



Transformer holder
ITH1

Shelf options



Shelf 1
S1-C5



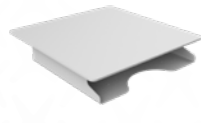
Shelf 2
S2-C5



Shelf 3
S3-C5



Shelf 4
S4-C5



Shelf 6
S6-C5



Shelf 8
S8-C5



Shelf 10
S10-C5



Shelf 11
S11-C5

Accessories for Rhino

Click or scan the QR Codes for Datasheets.

DIN Rail options

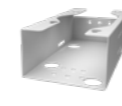


Din Rail 300x10x25mm
DR1



Din Rail 400x10x25mm
DR3-C5

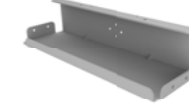
PSU Holder options



PSU Holder 1
PSH1-C5



PSU Holder 2
PSH2-C5



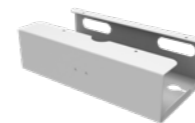
PSU Holder 3
PSH4-C5



PSU Holder 4
PSH4-C5



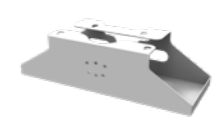
PSU Holder 5
PSH5-C5



PSU Holder 6
PSH6-C5



PSU Holder 7
PSH7-C5



PSU Holder 8
PSH8-C5

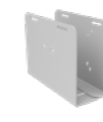


PSU Holder 9
PSH9-C5

CPU Mount options



CPU Mount Small
CPU1



CPU Mount Medium
CPU2



CPU Mount Big
CPU3



CPU Mount Large
CPU4

Drip Pole Clamp and Drip Pole options



Drip Pole Clamp 12.7mm
DRC1



Drip Pole Clamp 25mm
DRC2



Drip Pole
IV1

Storage options



Small Basket
ST1-C5



Large Basket
ST2-C5



Storage Bin
ST3-C5



Small Basket
ST6-C5



Large Basket
ST7-C5



Storage Bin
ST8-C5



Handle and Storage
ST5-C5

Accessories for Rhino

Click or scan the QR Codes for Datasheets.

Power function options



Battery Pack
PWP



Isolation transformer 300VA
POW-IT1



Isolation transformer 600VA
POW-IT3



Isolation transformer 1000VA
POW-IT3



Power strip 3
PDU3



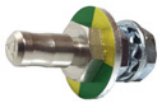
Power strip 4
PDU4



Power strip 5
PDU5



Power strip 8
PDU8



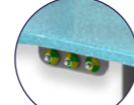
Potential Equalisation pin
POW-A2-15/25



Potential Equalisation socket
POW-A3-15/25



Potential Equalisation cable
POW-A4-3/5



POAG Studs
POW-A1

Work surface options



Work surface 6
WS6



Work surface 7
WS7



Work surface 11
WS11



Custom colored
Aluminum work surfaces

Drawer options



Drawer 1
D1



Drawer 2
D2



Drawer 3
D3



Drawer 4
D4



Drawer 5
D5



Drawer 6
D6



Drawer 7
D7



Drawer 8
D8



Drawer 9
D9



Drawer 10
D10



Drawer 11
D11

Accessories for Rhino

Click or scan the QR Codes for Datasheets.

Keyboard tray options



Keyboard Tray
KB1



Keyboard Tray
KB2

Laptop mount options



Laptop protector
LM2



Laptop protector
LM3



Laptop mount
LM4

Arm options



Snake 1 Arm
SNA1-XX-L3-FLH

Component options



100 mm Wheel
GJM3-100-2-W4



Anti-static 125 mm Wheel
GJM3-125-2-W6



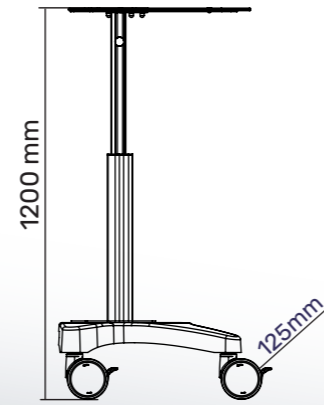
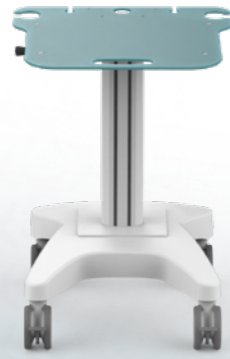
Colored rubber inserts



Custom colors & Wrappings

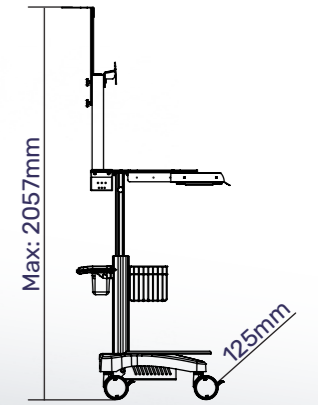
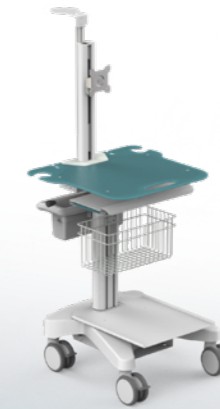
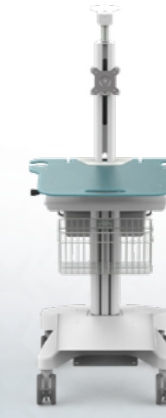
RHI-0

BASIC



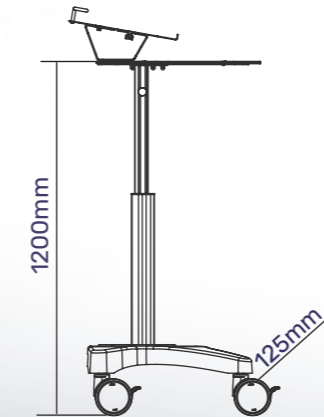
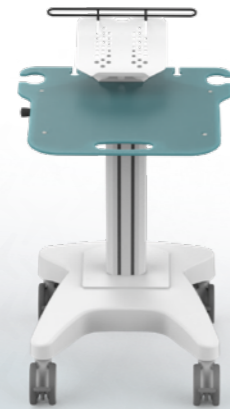
RHI-3-0084

CAMERA MOUNT
STORAGES
TRANSFORMER TRAY



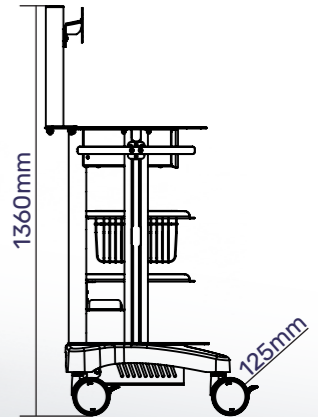
RHI-3

LAPTOP MOUNT



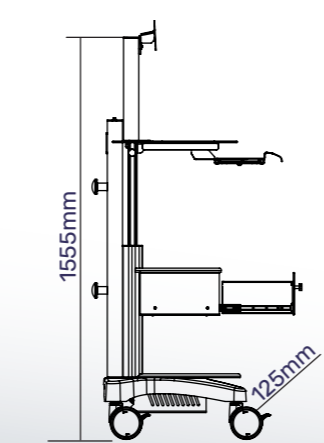
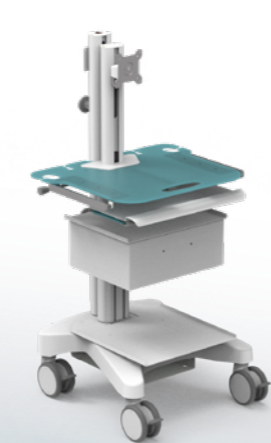
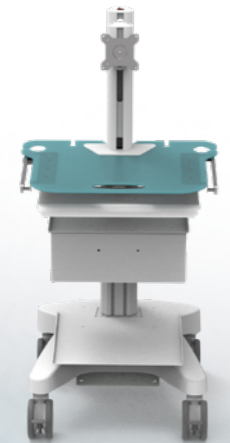
RHI-3-0131

DISPLAY MOUNT
DIN RAIL
TRANSFORMER TRAY



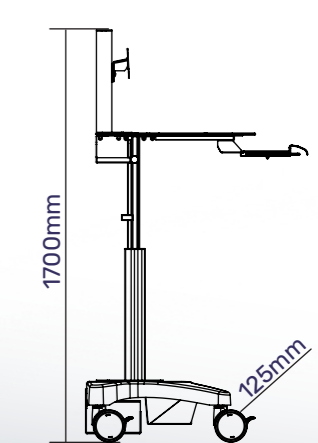
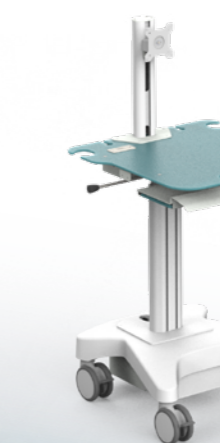
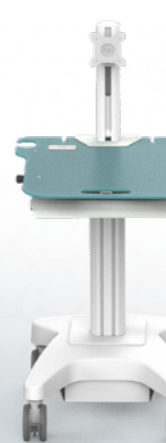
RHI-4-E

DISPLAY MOUNT
KEYBOARD TRAY
TRANSFORMER TRAY



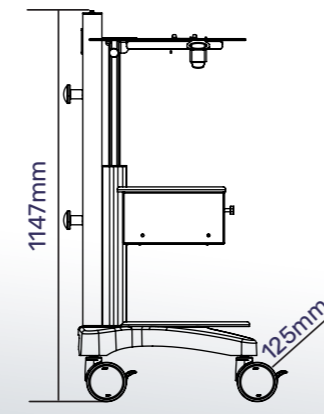
RHI-3-0127

DIPLAY MOUNT
KEYBOARD TRAY
POWER FUNCTIONS



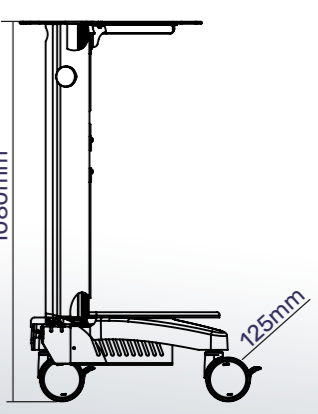
RHI-3-0028

DRAWER
DIN RAIL & HOLDERS
SHELVES



RHI-0-N

MOUNTING PLATE
DIN RAIL
TRANSFORMER TRAY



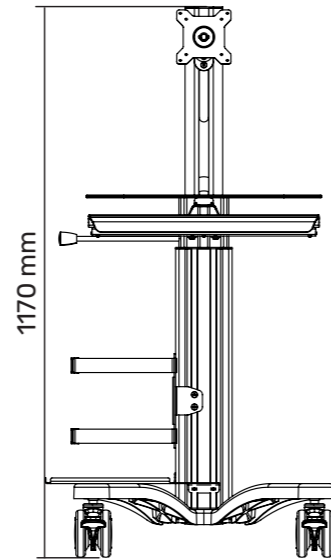
IntraOral CART SOLUTIONS



BEAVER 1

BV1-6-10

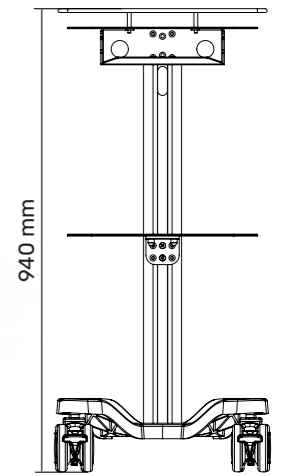
HEIGHT ADJUSTABLE
WORK STATION



BEAVER 4

BV4-4-3

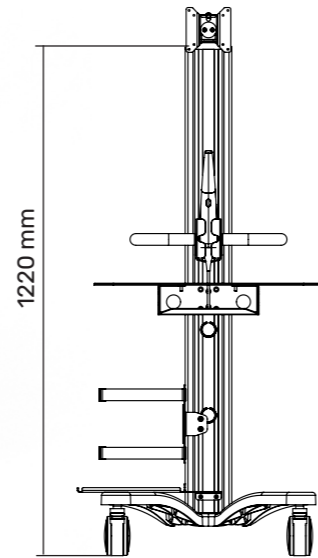
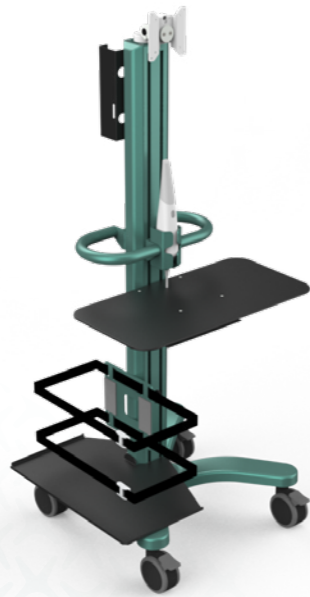
LAPTOP CART



BEAVER 2

BV2-6-4-10

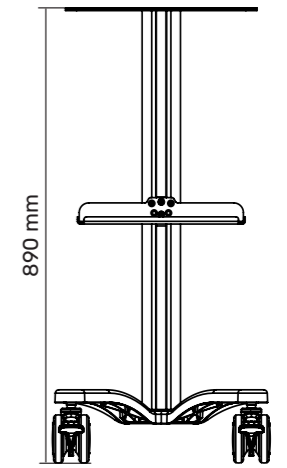
COMPUTER MOUNT
WORK STAND



BEAVER 5

2311-0618

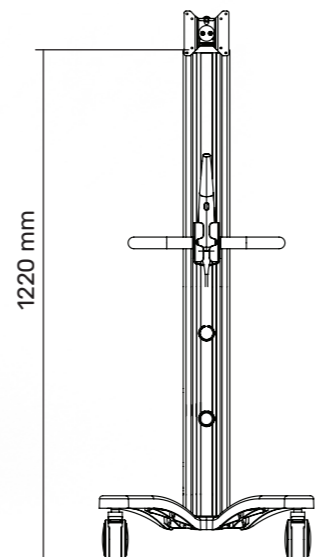
SMALL DEVICE CART



BEAVER 3

BV3-6-1

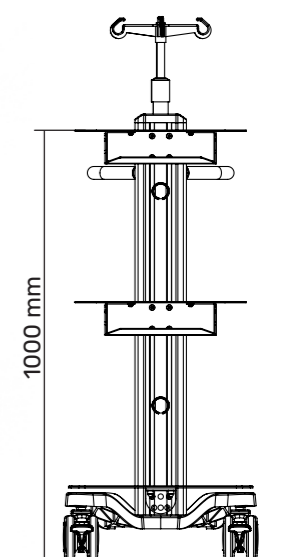
AIO COMPUTER
WORK STAND



BEAVER 6

BV6-4-9

PIEZO SURGERY CART



Display Carts Range



Lifetime warranty



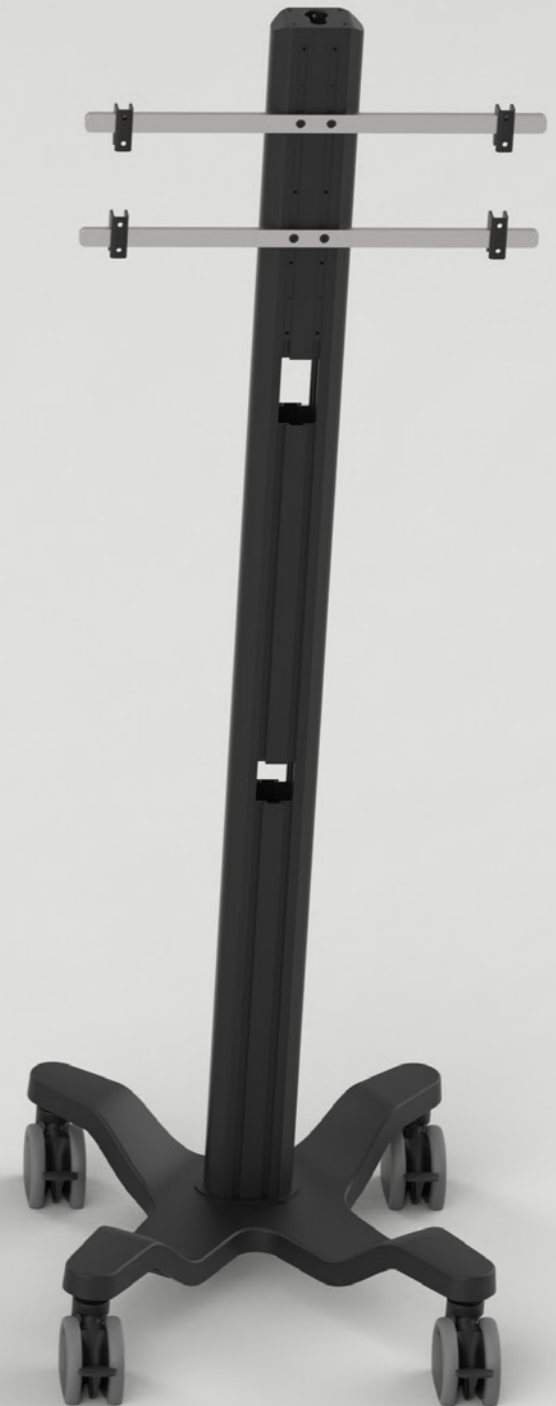
Easy to clean



Multi purpose



Quick setup



Example of a Cart

The shown accessories are optional.
Devices are shown only for illustration purposes.

DISPLAY MOUNT DM7

- 2 VESA mounts
- Tilttable, Rotatable
- Height adjustment
- Cable management

HANDLE H-SH3

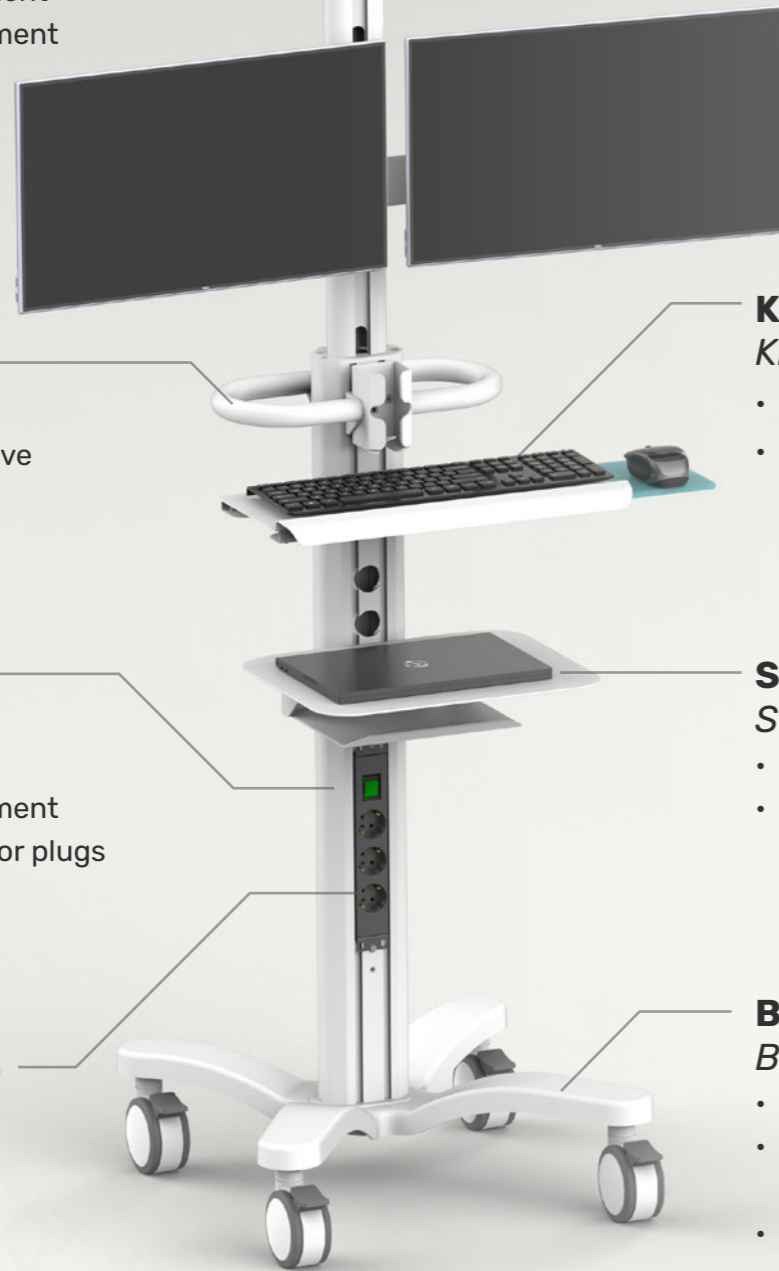
- Safe way to move the cart
- Mouse holder

COLUMN C5-L5

- 1050 mm
- Cable management in body, holes for plugs

POWER STRIP PDU3

- Built-in
- 3 plugs
- ON/OFF switch



KEYBOARD TRAY KB2-C5

- Wrist support
- Mouse tray

SHELF S11

- Designed for laptops
- Powersupply holder under it

BASE B3-W4

- B3 Base
- W4 100 mm wheels (Rubber coated)
- Aluminum
- 35 kg max. load
- 746 mm diameter

Accessories for Carts

List of accessories for every model.
Click or scan the QR Code for Datasheets.



More info
on website

All accessories



Shelf 1
S1-C2



Shelf 2
S2-C2



Shelf 3
S3-C2



Shelf 11
S11-C5



Power strip 3
PDU3



Power strip 4
PDU4



Power strip 5
PDU5



Power strip 8
PDU8



Counter balance 3.6 kg
CBW-3



Counter balance 6 kg
CBW-6



Keyboard Tray
KB2-C5



Handle
H-SH3



Camera mount 2
CM2

Datasheets for VESA heads



VESA Mount 1
VES1

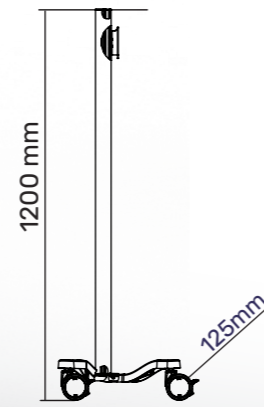


VESA Mount 2
VES2



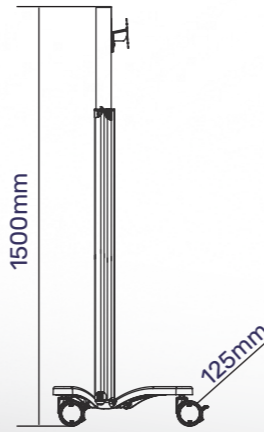
DIS1

Display: up to 27"
Base: 616 mm diameter
Column: 1500 mm
Cable management: Yes
Height adjustable



DIS2

Display: up to 27"
Base: 746 mm diameter
Column: 1500 mm
Cable management: Yes
Height adjustment, tilt and rotate



DIS3

Display: 2x up to 24"
Base: 746 mm diameter
Column: 1600 mm
Cable management: Yes
Height adjustment, tilt and rotate



DIS4

Display: up to 65"
Base: 820 mm diameter
Column: 1800 mm
Cable management: Yes
Height adjustable



SNAKE RANGE



ARTICULATED JOINT
Constant force joint
with the ability to
adjust the force.
Enables a safe setup.



SIMPLE ARM



TUBE HOLDER ARM



TABLET MOUNT ARM

Snake 1 Range

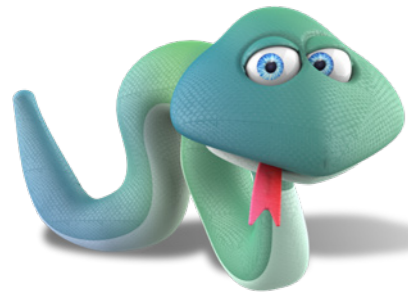
Snake Arm with tube holders and flexible end for light weight purposes.



Ergonomic
Constant force joint that enables a safe setup



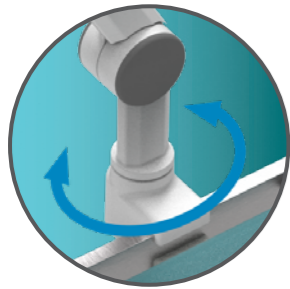
Durable
2 year warranty



Designed and manufactured in Hungary, products are typically 100% recyclable and upgradable in the future. Raw materials are sourced locally or in the EU.



FEATURES:



Can be rotated in 360°



Clip-in tube holders



Joint force adjustment



Flexible arm end with different mountings

MOUNTING OPTIONS: (XX)



C5M
Column mounting



DR
DIN Rail mounting



TM
Worktop mounting



PM
Pin mounting

SNA1-DR-L3-FLH1

CABLE OR TUBE HOLDERS

DIN RAIL MOUNTING

FLEXIBLE END

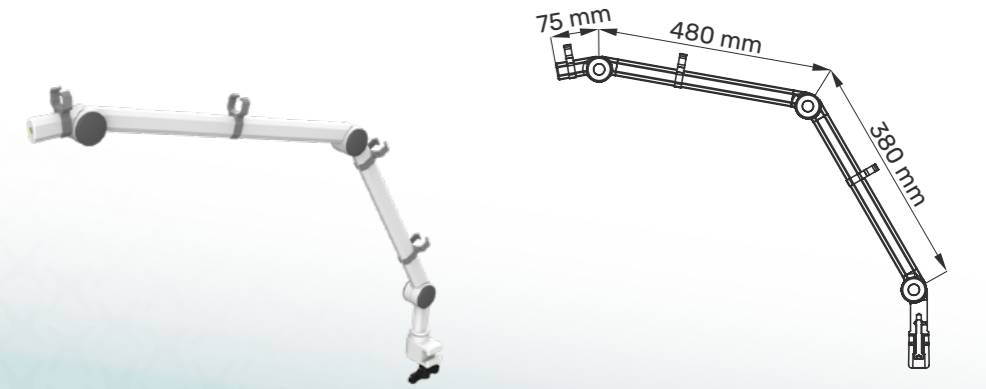


SNA1-DR-L3

CABLE OR TUBE HOLDERS

DIN RAIL MOUNTING

FREE ARM END OPTION



SNA1-DR-L2

CABLE OR TUBE HOLDERS

PIN MOUNTING

FREE ARM END OPTION



SNA1-PM-L2

CABLE OR TUBE HOLDERS

PIN MOUNTING

FREE ARM END OPTION



Snake 2 Range

MEDICAL
CART COMPANY

Rotatable and tiltable heavy duty Snake arm with VESA mount.



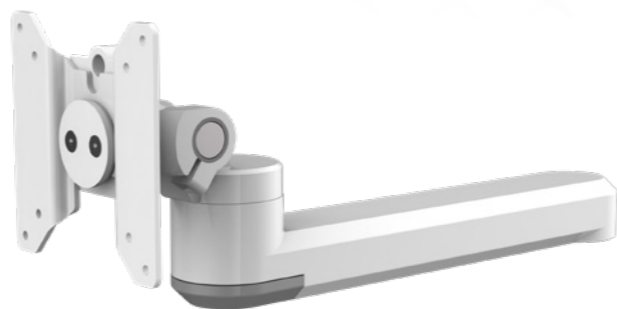
Ergonomic
Constant force joint that enables a safe setup



Durable
2 year warranty



Designed and manufactured in Hungary, products are typically 100% recyclable and upgradable in the future. Raw materials are sourced locally or in the EU.

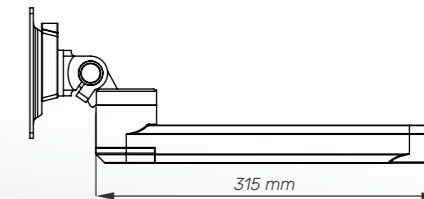


SNA2-XXX-051-VM-YY

TILTABLE & ROTATABLE

CABLE MANAGEMENT

VESA MOUNT

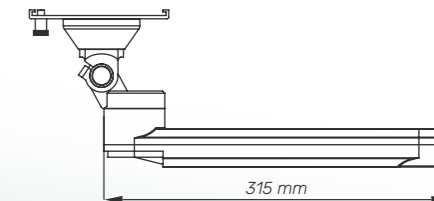


SNA2-XXX-051-QR-YY

TILTABLE & ROTATABLE

CABLE MANAGEMENT

QUICK RELEASE HEAD



MOUNTING OPTIONS: (XXX)



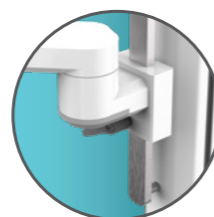
VWC
Column mounting



VWM
Wall mounting



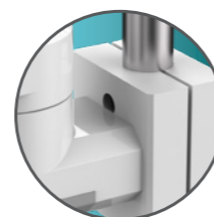
HDR
Horizontal DIN rail mounting



VDR
Vertical DIN rail mounting

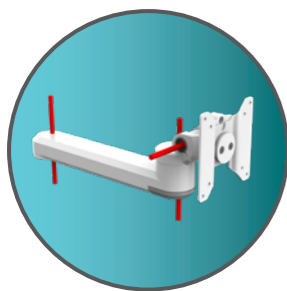


HTM
Horizontal tube mounting

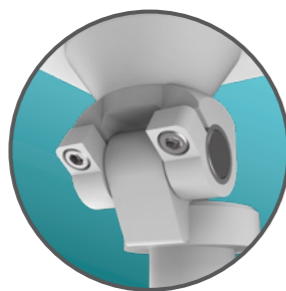


VTM
Vertical tube mounting

FEATURES:



3 axes rotation



End joint torque setting



Cable management in arm body



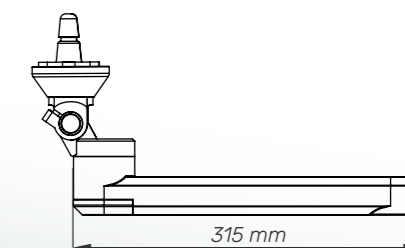
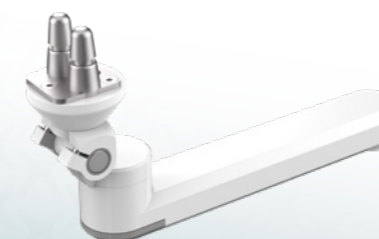
Accessories (YY)

SNA2-XXX-051-DP-YY

TILTABLE & ROTATABLE

CABLE MANAGEMENT

DOUBLE PIN HEAD



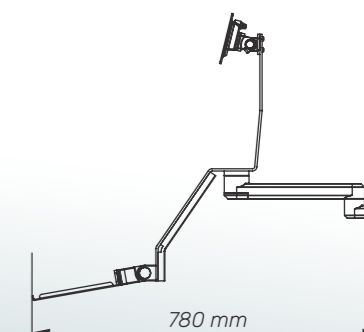
SNA2-XXX-051-KD-YY

TILTABLE & ROTATABLE

CABLE MANAGEMENT

VESA MOUNT

KEYBOARD TRAY

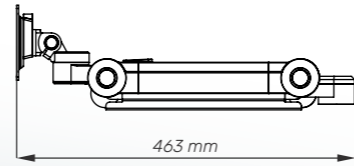
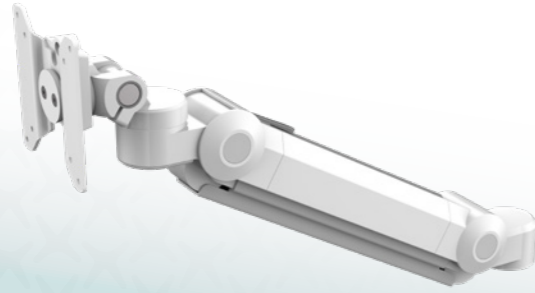


SNA2-XXX-061-VM-YY

CABLE MANAGEMENT

VESA MOUNT

GAS SPRING

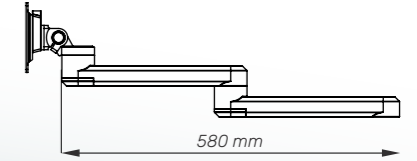


SNA2-XXX-052-VM-YY

TILTABLE & ROTATABLE

CABLE MANAGEMENT

VESA MOUNT

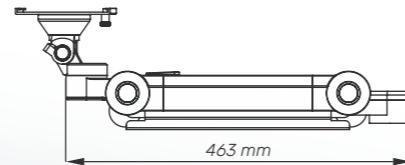
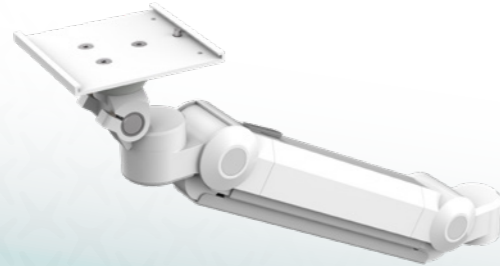


SNA2-XXX-061-QR-YY

CABLE MANAGEMENT

QUICK RELEASE MOUNT

GAS SPRING

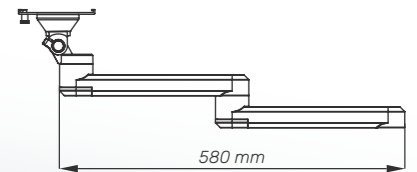


SNA2-XXX-052-QR-YY

TILTABLE & ROTATABLE

CABLE MANAGEMENT

QUICK RELEASE MOUNT

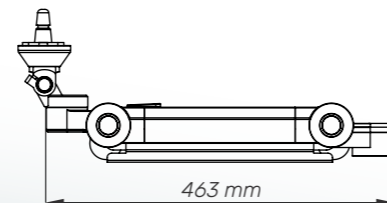
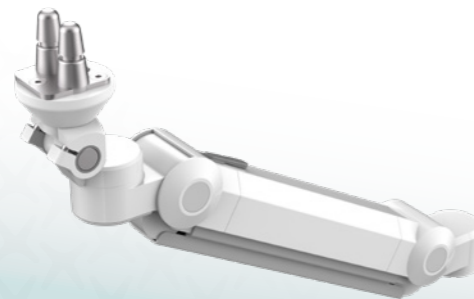


SNA2-XXX-061-DP-YY

CABLE MANAGEMENT

DOUBLE PIN MOUNT

GAS SPRING

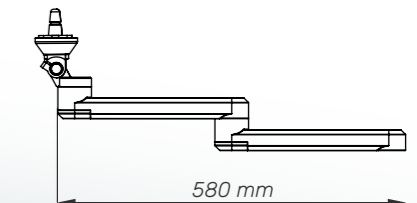


SNA2-XXX-052-DP-YY

TILTABLE & ROTATABLE

CABLE MANAGEMENT

DOUBLE PIN MOUNT

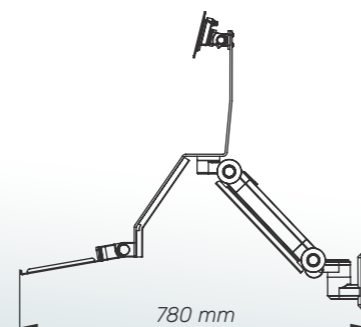


SNA2-XXX-061-KD-YY

VESA MOUNT

KEYBOARD TRAY

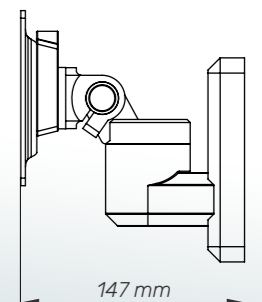
GAS SPRING



SNA2-XXX-00-VM

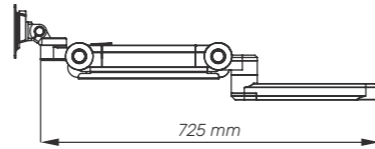
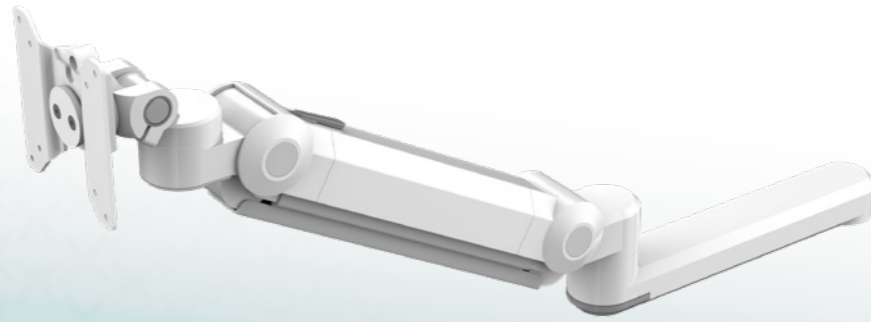
TILTABLE & ROTATABLE

VESA MOUNT



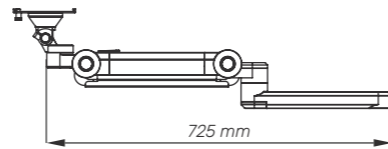
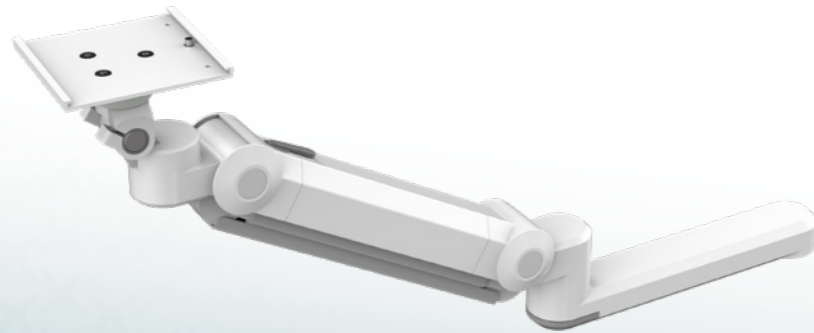
SNA2-XXX-062-VM-YY

- TILTABLE & ROTATABLE
- CABLE MANAGEMENT
- VESA MOUNT
- GAS SPRING



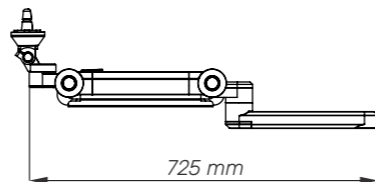
SNA2-XXX-062-QR-YY

- TILTABLE & ROTATABLE
- CABLE MANAGEMENT
- QUICK RELEASE MOUNT
- GAS SPRING



SNA2-XXX-062-DP-YY

- TILTABLE & ROTATABLE
- CABLE MANAGEMENT
- DOUBLE PIN MOUNT
- GAS SPRING



WALL MOUNT SOLUTIONS

SIT/STAND WALL MOUNT

Work station fixed on the wall. Allows busy areas to be used without consuming significant floor space.



Sliding Display Mount

Foldable sliding Keyboard Tray with two sided Mouse Holder

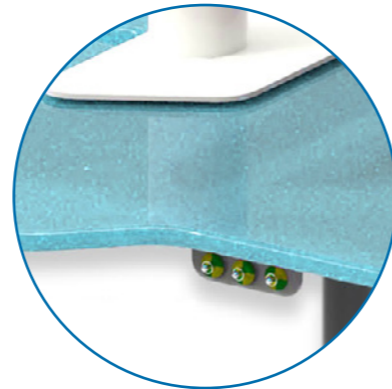
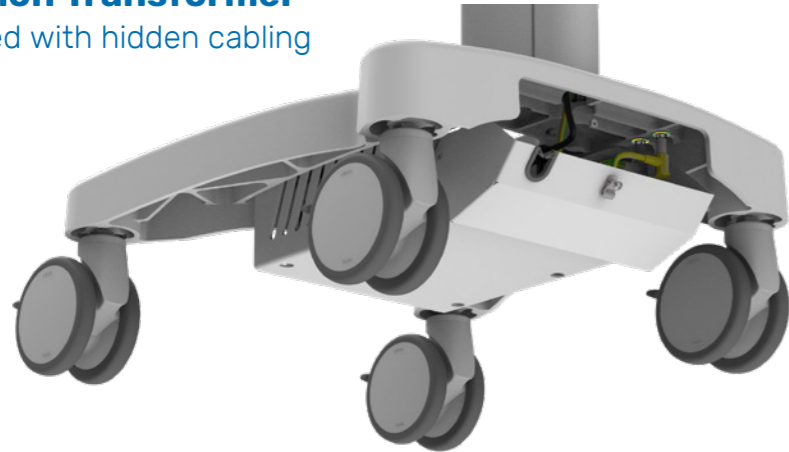
POWER SOLUTIONS

Click or Scan 

MEDICAL ISOLATION TRANSFORMERS

For added safety when using medical technology.

Isolation Transformer
mounted with hidden cabling



Optional POAG Studs
mounted under WorkSurface



**Isolation Transformer
OPTION 1**
REOMED 300VA A-50 Series



**Isolation Transformer
OPTION 2**
REOMED 600VA A-50 Series



**Isolation Transformer
OPTION 3**
REOMED 1000VA A-50 Series



Power Strip
3/4/5/8 Plugs



Potential Equalization Cable
3m / 5 m



**Potential Equalization
Socket**



**Potential Equalization
Pin**
15 mm



**Potential Equalization
Pin**
25 mm

PWP POWER SYSTEM



POWER PACK

Heavy Duty LiPo4 Power Pack suitable to fit any cart with built in charger and AC inverter allow easy installation of suitable equipment. Available in 512WH or 240WH sizes.



Autonomy



Easy to Use



Easy to Clean



Multi Purpose



Durable

DIGITAL FEEDBACK

WORK SURFACE - LED Indicator

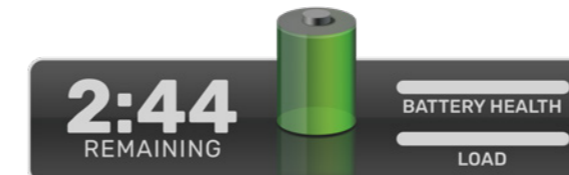
Easy to see, easy to understand battery charge indicator.



DISPLAY - Service Related Conditions

Intelligent fuel gauge report run time and battery health. Datalogging and fleet management software is built into the product as standard.

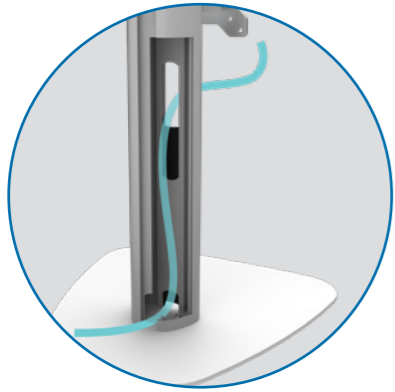
Service related alarms, such as overload, over temperature, replace battery etc., will cause one of the RUI Service LEDs to flash.



DESK STANDS

FEATURES

- Height adjustable
- Tilt and Rotation
- Integrated Cable Management



Click and Scan

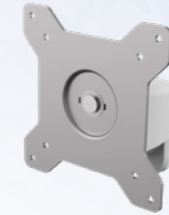


VESA HEAD 75/100 OPTIONS



VES1 OPTION:

- Teardrop holes to hang display quickly
- Suitable for displays up to 27"
- Maximum load 15 kg



VES2 OPTION:

- Tilt and rotate function
- Suitable for displays up to 24"
- Load capacity: 6-12 kg

TABLET HOLDER OPTIONS

Tablet holders are fixed on VESA 75/100 heads!



TM2 OPTION:

- Quick tablet installation
- Available in two sizes: 9.5"-13.5" and 13.5"-16.5"
- Can be applied on VES1 or VES2 as well

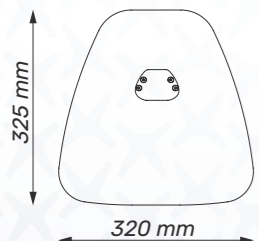
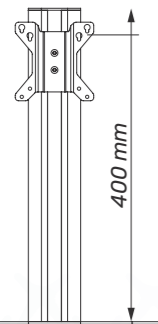


TM3 OPTION:

- Our safest tablet mounting solution for 11"-16"
- Can be applied on VES1 or VES2 as well

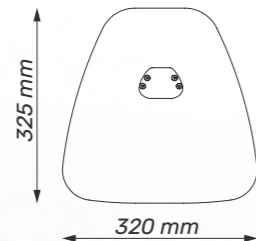
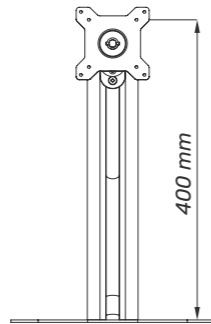
Display Stand DS1

DS1



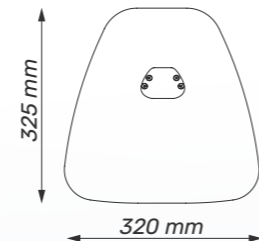
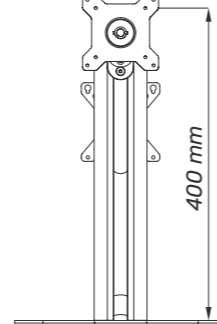
Display Stand DS2

DS2



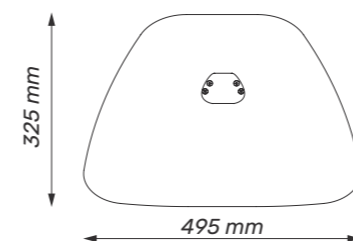
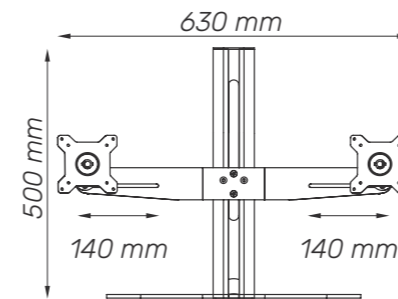
Double Display Stand DS3

DS3



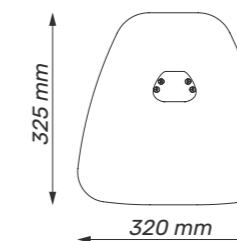
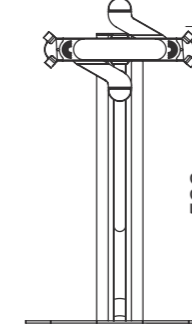
Twin Display Stand TS4

TS4



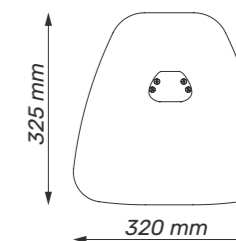
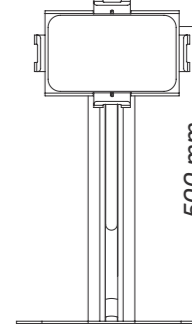
Tablet Stand TS2

TS2



Tablet Stand TS3

TS3



Dolphin Keyboard

DOL-KYB1

MEDICAL
CART COMPANY

More info
on website 



Easy to clean
Resistant against most
disinfection materials



Durable
Washable,
IP68 Certification



Ergonomic
Comfortable layout,
quiet typing

FEATURES



Can be locked
while washing



Adjustable backlight





Numeric pad

General data

Dimensions	442x140x12 mm
Coating	100% Silicone (Latex free)
Connection	USB Type A - 180 cm cable
Languages (in stock)	English (U.S. Int.), German, Hungarian, others for request

Color

White	
Backlight (5 levels)	

Certificates

FCC, CE, RoHS, IP68

Dolphin Mouse

DOL-MS1

MEDICAL
CART COMPANY

More info
on website 



Easy to clean
Resistant against most
disinfection materials



Durable
Washable,
IP68 Certification

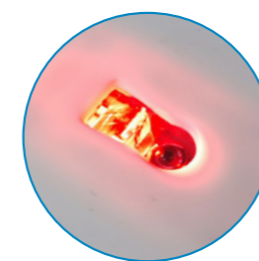


Ergonomic
Left or right handed,
quiet use

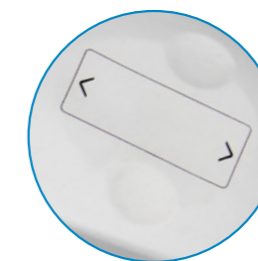
FEATURES



Washable



1000 dpi optical sensor



Touch scrolling



General data

Technology	Optical
Sensitivity	1000 dpi
Coating	100% Silicone (Latex free)
Connection	USB Type A - 180 cm cable
Scroll	Touch pad in the middle

Color

White	
-------	---

Certificates

FCC, CE, RoHS, IP68

CUSTOM COLOR OPTIONS

Available for all Carts. Custom graphics are also available.



CUSTOM GRAPHICS

Logos, labels, graphics. We can apply any of your ideas on the cart to make it more unique, according to you, or your company's needs. Full-cover graphics and labels can be added as well.

CUSTOM PAINTJOB

Just pick any RAL color, and add it to your cart. Can be added to any painted surface.



WRAPPINGS

Customize your cart's column with printed foils. We can offer you our graphics or you can bring your own ideas as well.

COLOR COMBINATIONS

Try different colors! We can add custom colors for every part if it's necessary. It is a nice and easy way to separate your carts in each department.



Children's Carts

Available for all Carts. Custom graphics are also available.

IGLOO VILLAGE

Wrapping with printed base.



CITY ANIMALS

Wrapping with blue and yellow color combination.

HAPPY FRUITS

Wrapping with yellow, purple, green and orange painted parts.

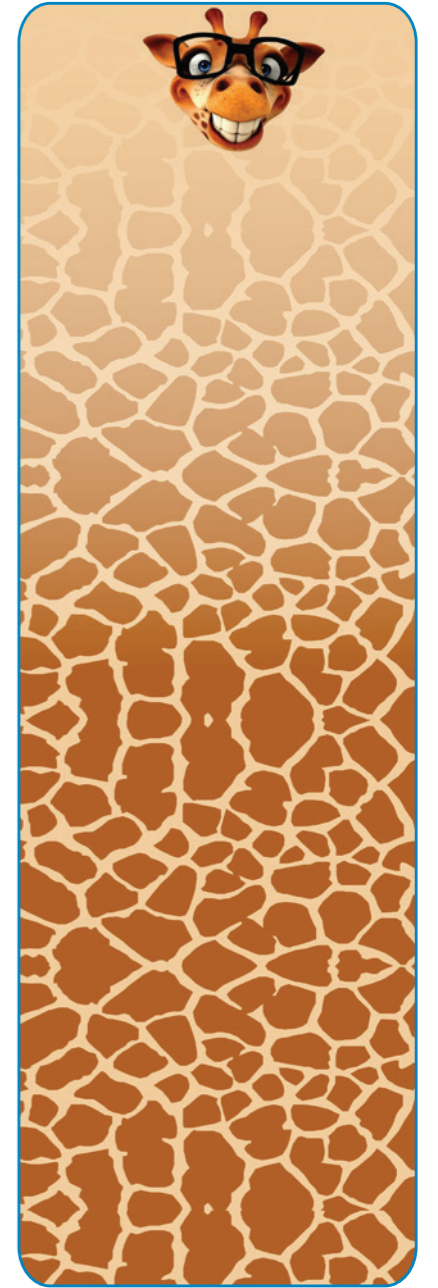


SPORTY FRUITS

Wrapping with yellow painting.

Children's Carts Patterns

Available for all Carts. Custom graphics are also available.



Design Carts

Available for all carts.

You dream it we make it.
Let your dreams come true and work in comfortable
and exciting design environment. You can bring your
own ideas, or you can count on us as well.



New products coming in 2024

Debating carts. See the QR Code for more information

DISPLAY STAND

Height adjustable workstation
with electric lift, display mount
and keyboard tray.



TRICOLUMN CART

Plenty of space and wide
range of mounting options.



Medical Cart Company Ltd.

Hungary, 2051 Biatorbágy
Vendel park, Budai út 16.

Tel: +36 23 920 790
Tel: +36 30 841 4353

www.medicalcartcompany.hu

Official Distributor

Provicon GmbH

Ziegeleistrasse 19
8360 Eschlikon
Tel: +41 71 920 02 44
info@provicon.ch

www.provicon.ch



MEDICAL CART COMPANY