

Chameleon 6

Lightweight cart with sit-to-stand adjustment



Ergonomic

Simple lightweight design for easy sit to stand adjustment



Smooth and easy to clean surfaces

Quick and easy cleaning



Multi-purpose

Easy integration in a variety of applications
(choice of laptop or VESA mount)



Durable

Lifetime Warranty*

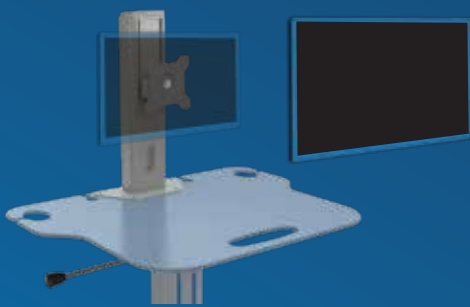


Quick setup

Fast and simple to assemble



Configuration options



Display mount upto 24" Display



Tablet mount 9 to 11" Tablets

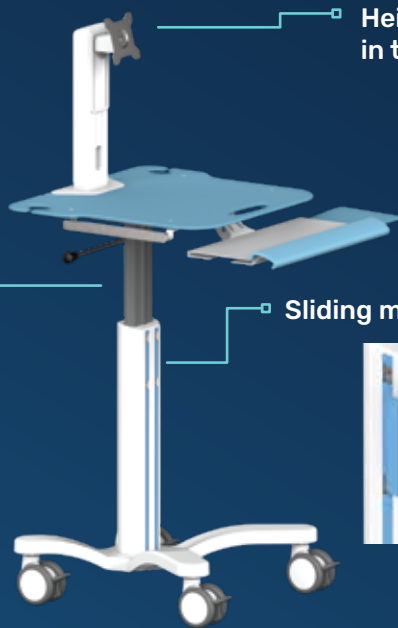
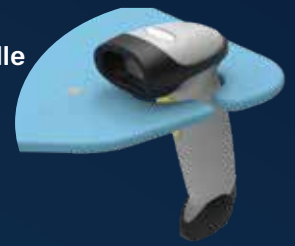


Laptop mount security mount 12-19"



Integrated Cable Holder

Dual purpose scanner Holder / Handle



Height adjustable monitor holder with built in tilt, swivel and rotate function

Sliding mount to adjust the height of your accessories



Sit to Stand height adjustment

Optional Modul Mount

Optional storage for boxes, cleaning materials cables

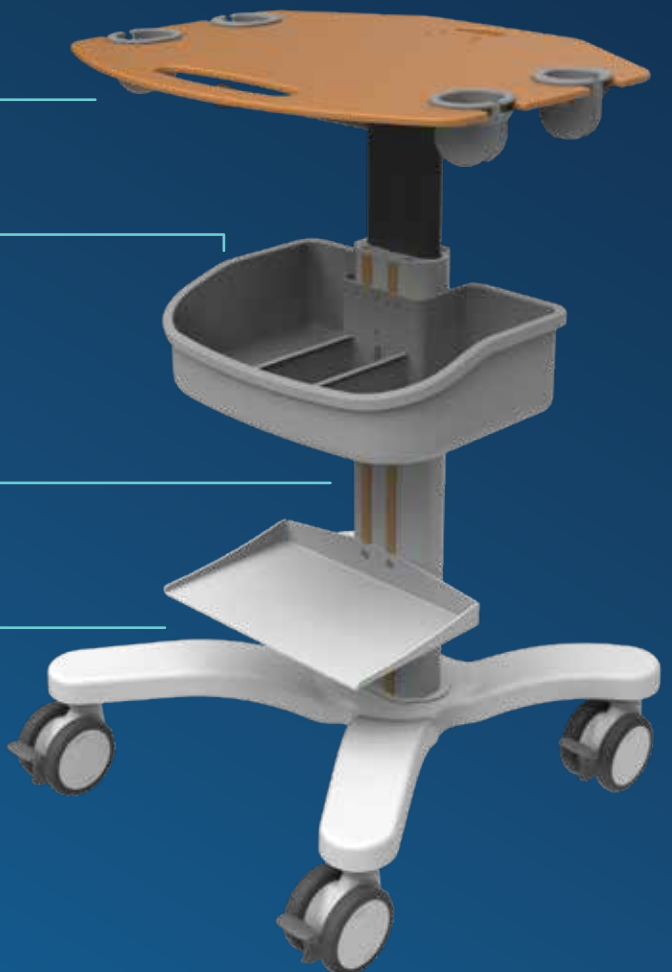
Optional Din Rail to allow fitment of accessories

Range of storage solutions available (Baskets, bins, drawers)





- Height adjustable monitor holder
- Optional Modul Mount
- Handle for moving
- Range of storage solutions available (Basket, bins, drawers)



- Aluminium Worksurface
- Storage Bin
- Height Adjustable column and accessory
- Shelf

Mounting options



Display Mount
DM1



Display Mount
DM3



Display Mount 5
DM5



Tablet Mount
TM1



Tablet Mount
TM2



Tablet Mount
CM1

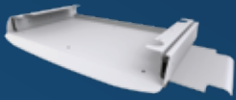


Tablet Mount
CM2



Laptop Mount
LM1

Keyboard Tray and accessories options



Keyboard Tray
KB1



Keyboard Tray
KB2



2nd Work Surface
2WS4

Holder options



Front Din Rail
DR2, DR3, DR4, DR5, DR6



Scanner holder
SH1, SH2

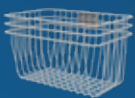


Gel holder
GH1, GH2, GH3



Cable and Tube Hook
CH1

Storage options



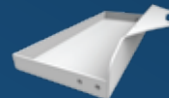
Basket S
ST1



Baskets L
ST2



Storage Bin
ST3



Cable Holder
ST4



Handle and Storage
ST5



CPU Mount Small
CPU1



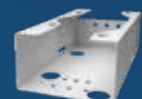
CPU Mount Medium
CPU2



CPU Mount Big
CPU3



Shelves
S1, S2, S3, S4
S5, S6, S7



PSU holder
PSH1, PSH2, PSH3,
PSH4, PSH5, PSH6,
PSH7



Mechanical data

Height adjustment rate	Sit 775mm, stand 1135mm 360mm height adjustment
Worksurface	560x620mm
Wheelbase dimension	746mm (diameter)
Wheel construction	Polyamide with Polyurethane tread
Wheels/locking	4 lockable, 100mm diameter
Weight of a cart	21 kg
Loading capacity	25 kg

Construction

Main assembly	Aluminum
Worksurface	Cast acrylic

Color

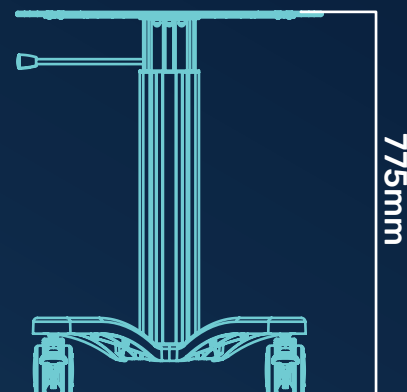
RAL 9016	
Custom color	

Certificates

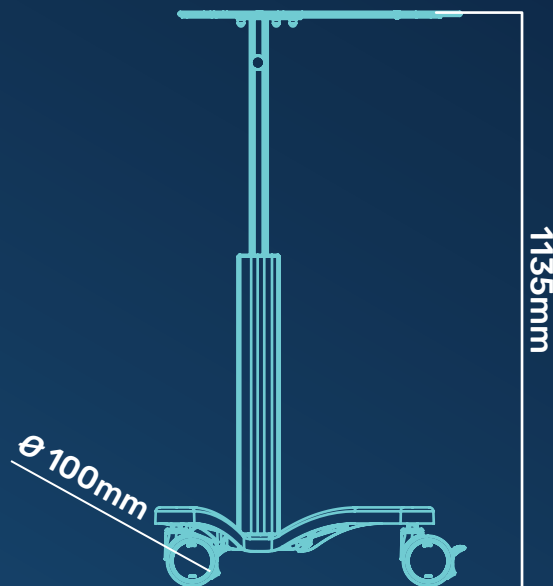
Certificates conforms to	IEC60601-1:2012 (Edition 3)
CE	Rohs compliant

Technical characteristics

- Fully recyclable
- Lifetime Warranty*
- Optional keyboard and mouse tray
- Large range of accessories
- Made in Hungary



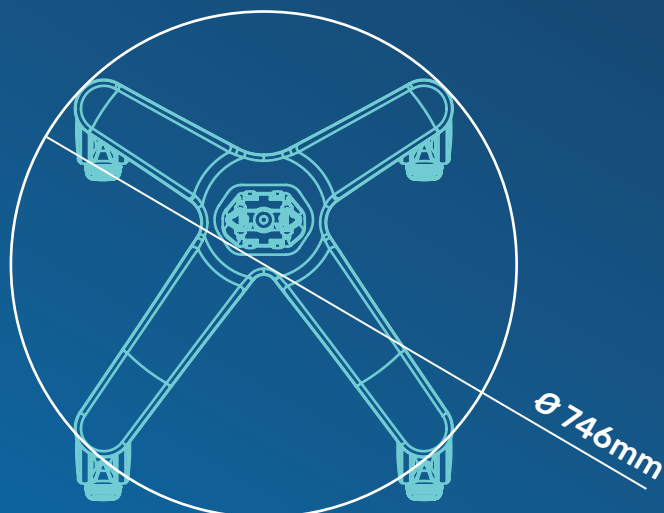
775mm



1135mm

∅ 100mm

620mm



∅ 746mm

560mm

